

FUTEK MODEL FFP350
STK# FSH01527

FLAT PLATE LOAD CELL

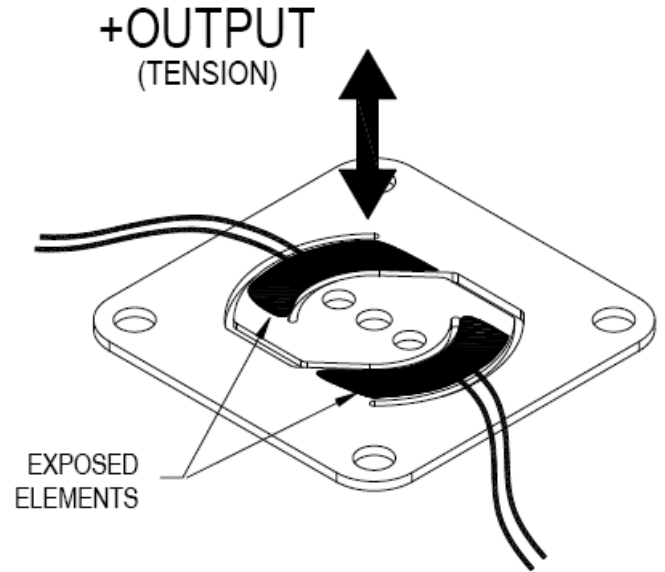
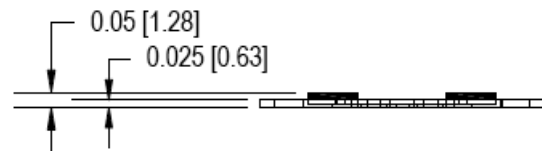
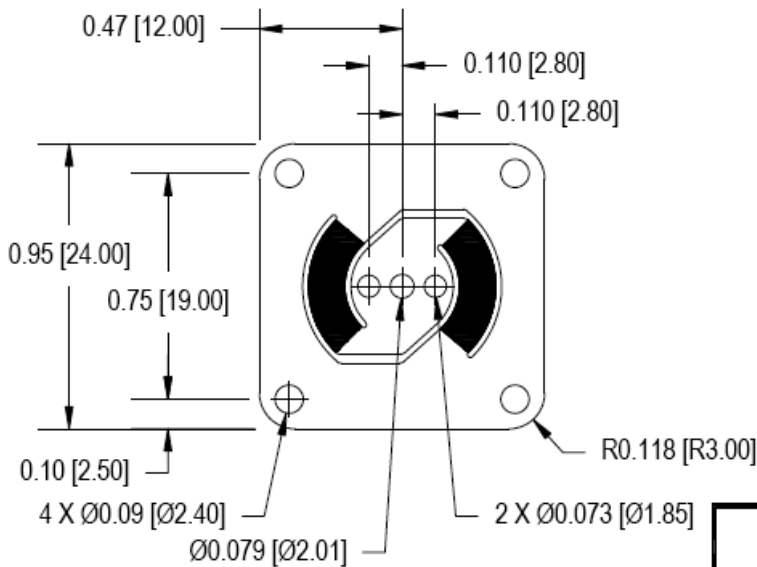
(Previously FR1075P-Q11046)

Drawing Number: FI1117-A

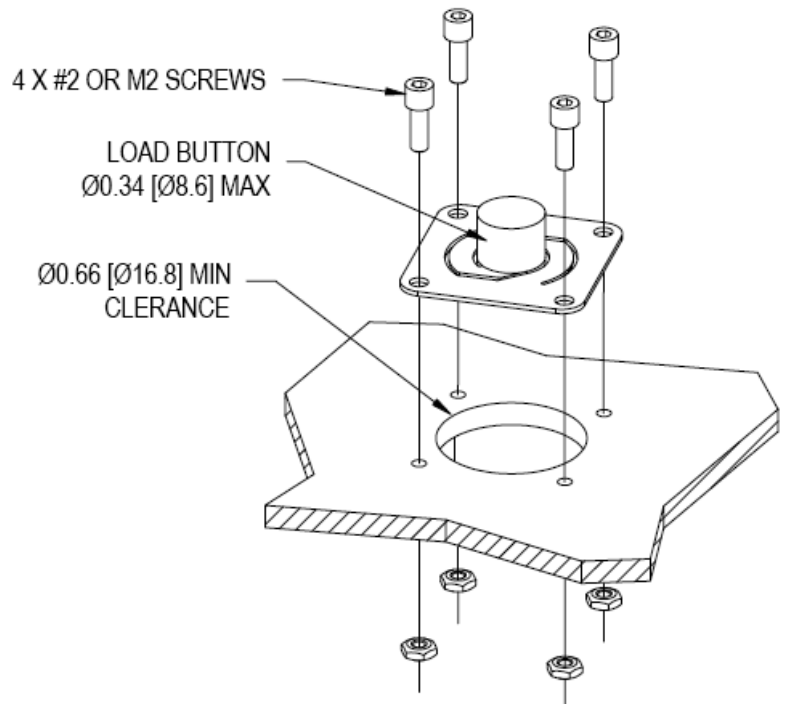
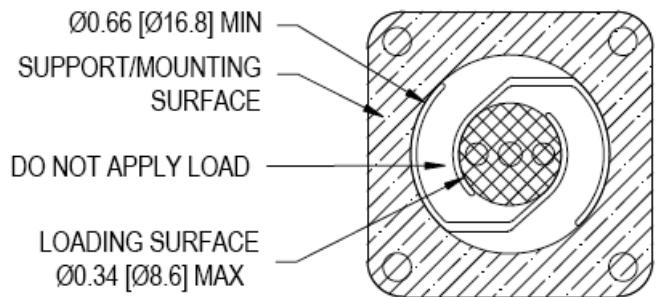
INCH [mm] | R.O.= Rated Output

WIRING CODE (WC1)

+Excitation	-Excitation	+Signal	-Signal
RED	BLACK	GREEN	WHITE



MOUNTING GUIDE



SPECIFICATIONS:

RATED OUTPUT	2 mV/V nom.
CAPACITY	1 lb
SAFE OVERLOAD	150% of R.O.
ZERO BALANCE	±5% of R.O.
EXCITATION (VDC OR VAC)	10 MAX
BRIDGE RESISTANCE	350Ω nom
NONLINEARITY	±0.25% of R.O.
HYSTERESIS	±0.25% of R.O.
NONREPEATABILITY	±0.1% of R.O.
TEMP. SHIFT ZERO	±0.02% of R.O./°F (0.036% of R.O./°C)
TEMP. SHIFT SPAN	±0.02% of LOAD/°F (0.036% of LOAD/°C)
COMPENSATED TEMP.	60 to 160°F (15 to 72°C)
OPERATING TEMP.	-60 to 200°F (-51 to 93°C)
MATERIAL	300 Series S.S.
CABLE: #29 AWG, 4 Conductor, Teflon Wire, 2 in [50.8] Long	
ACCESSORIES AND RELATED INSTRUMENTS AVAILABLE	
CALIBRATION (AVAILABLE)	5 pt. TENSION OR COMPRESSION; 60.4KΩ SHUNT CAL VALUE.
CALIBRATION TEST EXCITATION	5 VDC

系泰機電有限公司

Tel : (04)2706-9659
Fax: (04)2452-0110

www.accusystem.com

E-mail: sales@accusystem.com