

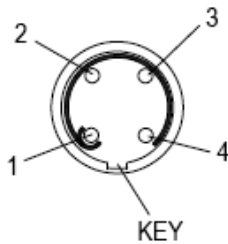
FUTEK MODEL LAU200 (L1050)

ACCELERATOR AND PEDAL FORCE SENSOR

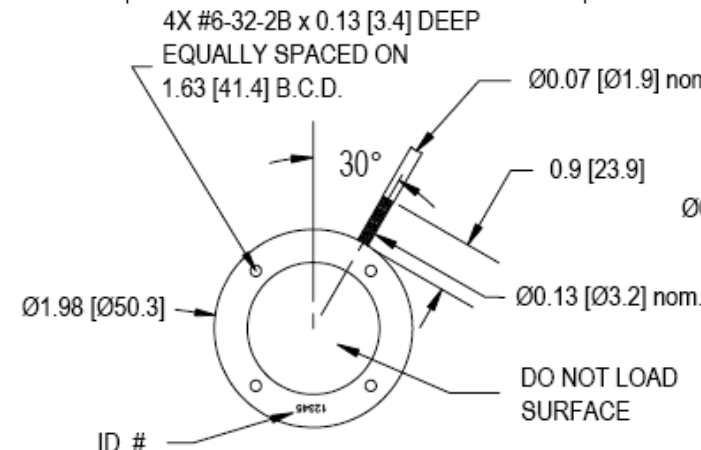
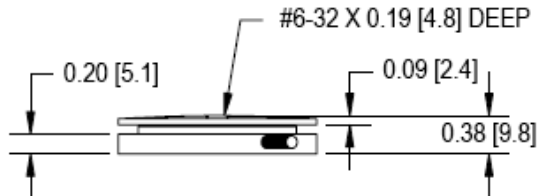
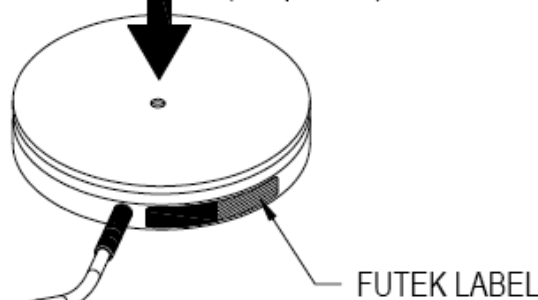
Drawing Number: FI1047

INCH [mm] | R.O. = Rated Output

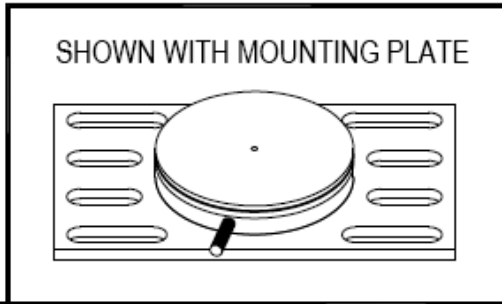
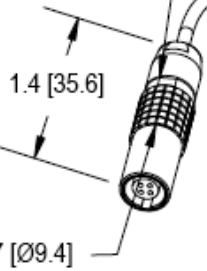
WIRING CODE (CC1)			
+Excitation	-Excitation	+Signal	-Signal
RED	BLACK	GREEN	WHITE
1	4	2	3



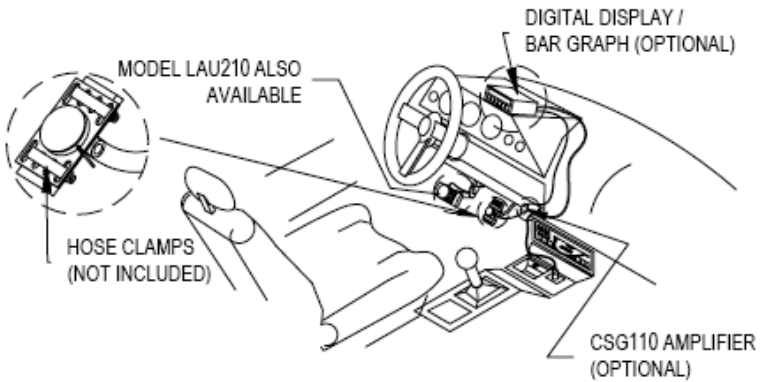
+ OUTPUT
(Compression)



4 PIN LEMO RECEPTACLE PLUG PHG.OB.304.CLLD



TYPICAL APPLICATION



MODEL LAU200 INCLUDES (ONE OF EACH) TOTAL WEIGHT 2 lb [0.9 Kg]

- STK#MCP00180 - MOUNTING PLATE
- 100 KOHM SHUNT CAL. CARRYING CASE AND
- STK#FSH00173 - (mating connector and 10 ft cable)

SPECIFICATIONS:

- RATED OUTPUT** 2 mV/V nom.
- SAFE OVERLOAD** 150% of R.O.
- ZERO BALANCE** ±1% of R.O.
- EXCITATION (VDC OR VAC)** 20 MAX
- BRIDGE RESISTANCE** 700 Ω nom.
- OFF CENTER LOADING** ±3-4% OR BETTER @ 0.625 FROM CENTER
- NONLINEARITY** ±0.2% of R.O.
- HYSTERESIS** ±0.2% of R.O.
- NONREPEATABILITY** ±0.2% of R.O.
- TEMP. SHIFT ZERO** ±0.01% of R.O./°F [0.018% of R.O./°C]
- TEMP. SHIFT SPAN** ±0.01% of LOAD/°F [0.018% of LOAD/°C]
- COMPENSATED TEMP.** 60 to 160°F [15 to 72°C]
- OPERATING TEMP.** -60 to 200°F [-50 to 93°C]
- WEIGHT** 6 oz [170 g]
- MATERIAL** 17-4PH S.S.
- DEFLECTION** 0.005 to 0.009 [0.127 to 0.229] nom.

STK#	CAPACITIES	
	lb	N
FSH00218	10	44.5
FSH00219	25	111
FSH00220	50	222
FSH00221	100	445
FSH00222	300	1334

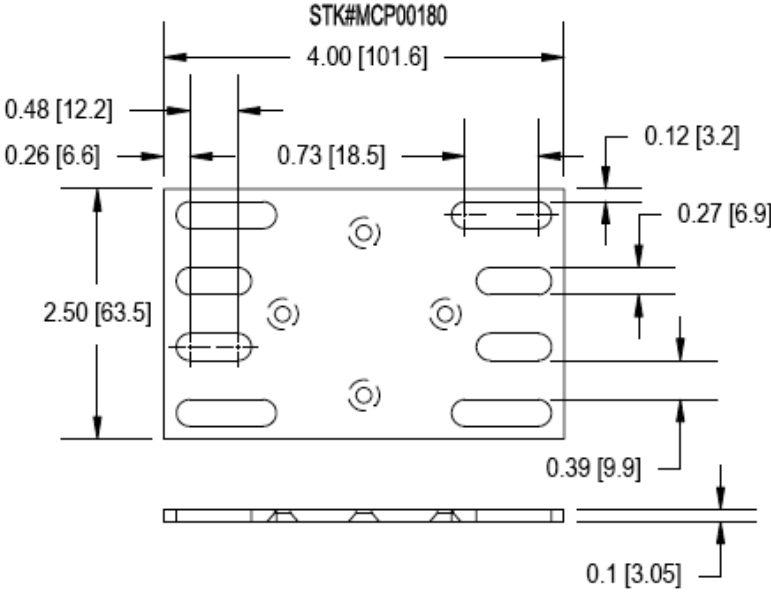
CABLE: #29 AWG, 4 Conductor, Spiral Shielded Teflon Cable
12 in (0.3 m) Long with 4 Pin LEMO Receptacle (EGG.OB.304.CLL)

ACCESSORIES AND RELATED INSTRUMENTS AVAILABLE

CALIBRATION (STD) 5 pt. COMPRESSION; 100 K Ω SHUNT CAL VALUE

CALIBRATION TEST EXCITATION 10 VDC

MOUNTING PLATE (Aluminum, Clear Anodized)



This drawing is submitted solely for the information and exclusive use of the original addressee. It is not to be divulged in whole or in part, by any firm or individual without written permission from FUTEK

CAGE CODE # 1X8M6

10 THOMAS
IRVINE, CA 92618 USA
1-800-23-FUTEK (38835)