

FUTEK MODEL LAU300
STK# FSH01940

SEAT BELT SENSOR

Drawing Number: FI1019

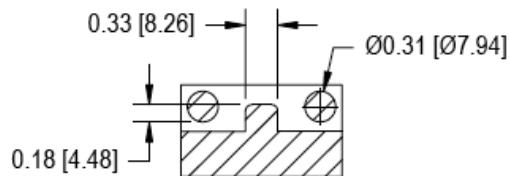
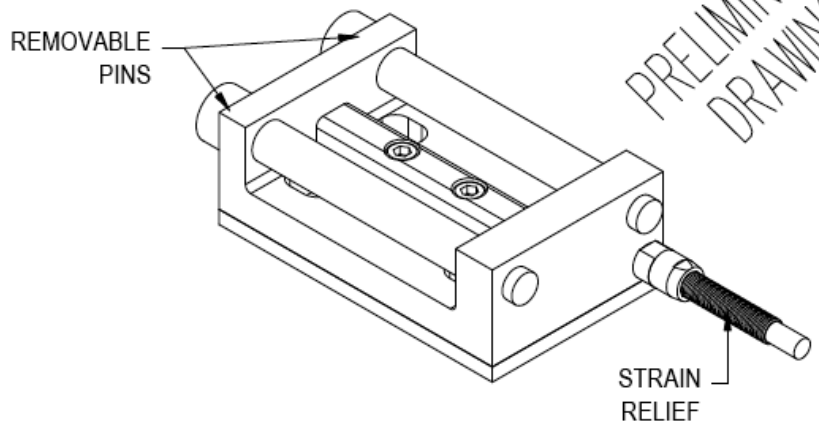
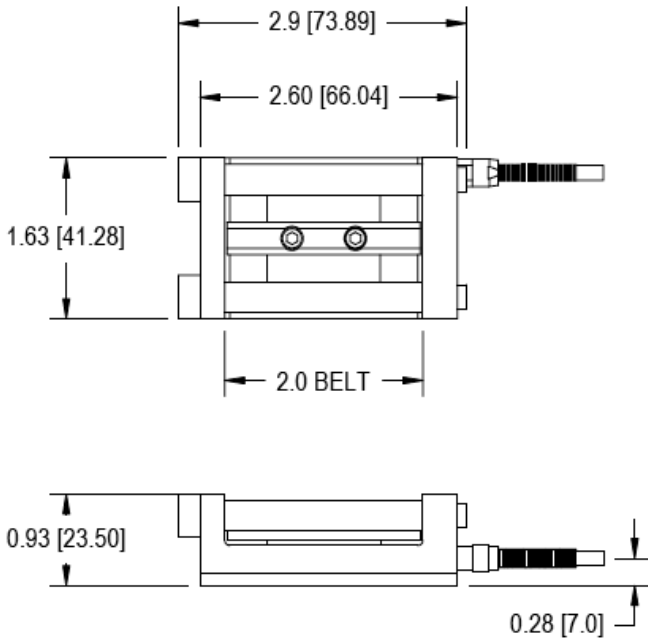
INCH [mm] R.O.= Rated Output

WIRING CODE

+Excitation	-Excitation	+Signal	-Signal
RED	BLACK	GREEN	WHITE

REMOVABLE
PINS

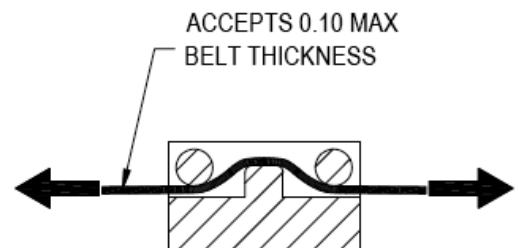
PRELIMINARY
DRAWING



SPECIFICATIONS:

RATED OUTPUT	2 mV/V nom.
CAPACITY	3000 lb
SAFE OVERLOAD	150% of R.O.
ZERO BALANCE	±3% of R.O.
EXCITATION (VDC OR VAC)	18 MAX
BRIDGE RESISTANCE	350 Ω nom
NONLINEARITY	±0.25% of R.O.*
HYSTERESIS	±0.25% of R.O.*
NONREPEATABILITY	±0.5% of R.O.
TEMP. SHIFT ZERO	±0.02% of R.O./°F (0.036% of R.O./°C)
TEMP. SHIFT SPAN	±0.02% of LOAD/°F (0.036% of LOAD/°C)
COMPENSATED TEMP.	60 to 160°F (16 to 71°C)
OPERATING TEMP.	0 to 200°F (-18 to 93°C)
WEIGHT	0.3 lb
MATERIAL	ANODIZED ALUMINUM
CABLE:	#24 AWG, 4 Conductor, Braided Shielded Teflon Cable 10 ft Long
ACCESORIES AND RELATED INSTRUMENTS AVAILABLE	
CALIBRATION (STD)	5 pt.; 60.4 KΩ SHUNT CAL. VALUE
CALIBRATION TEST EXCITATION	10 VDC
*NONLINEARITY AND HYSTERESIS ARE GIVEN FOR SENSOR ONLY BELT TYPE AND THICKNESS WILL RESULT IN HIGHER ERRORS	

BELT ASSEMBLY DIAGRAM



系泰機電有限公司

Tel : (04)2706-9659
Fax: (04)2452-0110

www.accusystech.com

E-mail: sales@accusystech.com