

# FUTEK MODEL LBB300 (L1510)

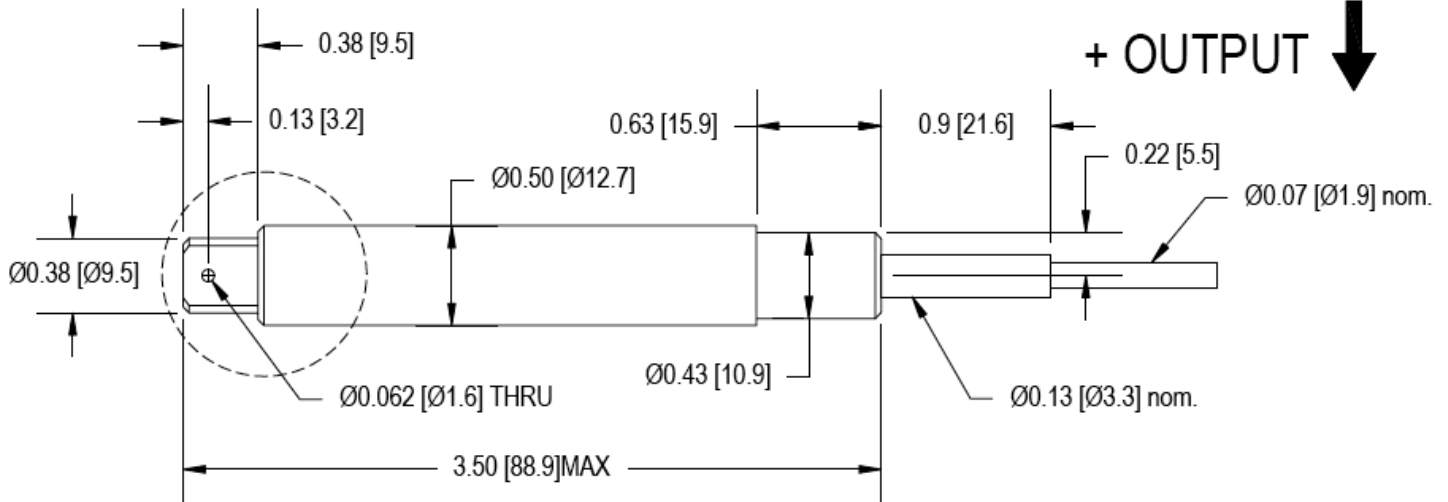
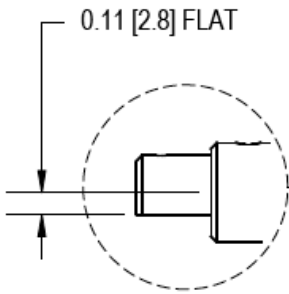
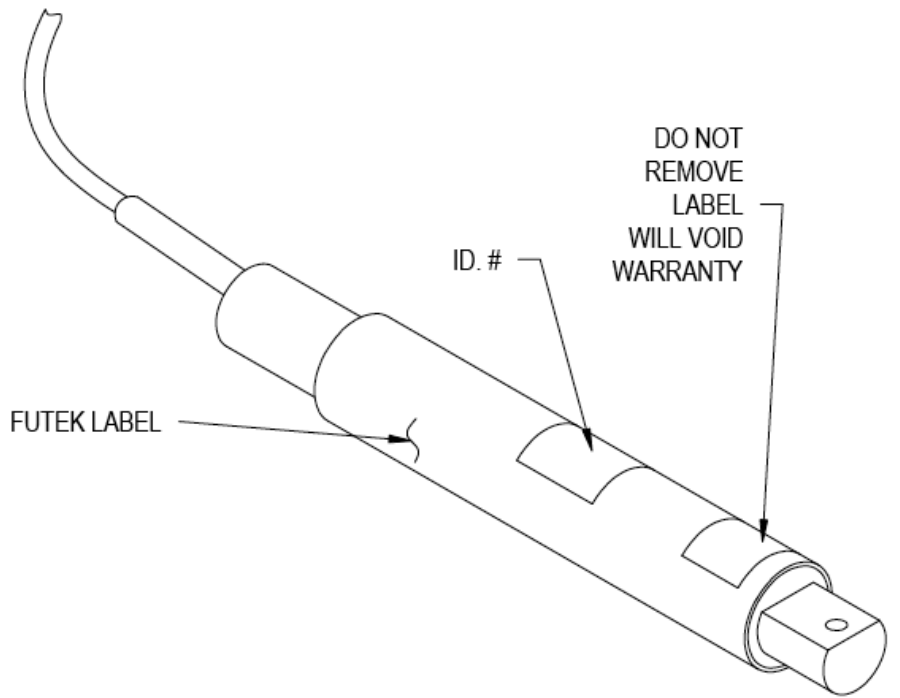
# ROUND SHAFT BEAM LOAD CELL

Drawing Number: FI1050

INCH [mm] R.O.= Rated Output

WIRING CODE (WC1)

+Excitation	-Excitation	+Signal	-Signal
RED	BLACK	GREEN	WHITE



+ OUTPUT ↓

## SPECIFICATIONS:

<b>RATED OUTPUT</b>	2 mV/V nom.
<b>SAFE OVERLOAD</b>	400% (0.25 to 5 lb) 200% (10 lb)
<b>ZERO BALANCE</b>	±3% of R.O.
<b>EXCITATION (VDC OR VAC)</b>	7 MAX (0.25 to 5 lb) 18 MAX (10 lb)
<b>BRIDGE RESISTANCE</b>	350 Ω nom.
<b>NONLINEARITY</b>	±0.05% of R.O.
<b>HYSTERESIS</b>	±0.05% of R.O.
<b>NONREPEATABILITY</b>	±0.03% of R.O.
<b>TEMP. SHIFT ZERO</b>	±0.005% of R.O./°F [0.01% of R.O./°C]
<b>TEMP. SHIFT SPAN</b>	±0.005% of LOAD/°F [0.01% of LOAD/°C]
<b>COMPENSATED TEMP.</b>	60 to 160°F [15 to 72°C]
<b>OPERATING TEMP.</b>	-60 to 200°F [-50 to 93°C]
<b>WEIGHT</b>	1 oz [28 g]
<b>MATERIAL</b>	ALUMINUM
<b>DEFLECTION</b>	0.007 to 0.018 [0.18 to 0.46] nom.
<b>CABLE: #29 AWG, 4 Conductor, Spiral Shielded Teflon Cable 10 ft [3 m] Long</b>	
<b>ACCESORIES AND RELATED INSTRUMENTS AVAILABLE</b>	
<b>CALIBRATION (STD)</b>	5 pt. COMPRESSION; 60K Ω SHUNT CAL. VALUE
<b>CALIBRATION TEST EXCITATION</b>	5 VDC (0.25 to 5 lb) 10 VDC (10 lb)

CAPACITIES		
STK #	lb	N
FSH00934	0.25	1.1
FSH00935	0.5	2.2
FSH00936	1	4.5
FSH00937	1.5	6.7
FSH00938	2	8.9
FSH00939	5	22.2
FSH00940	10	44.5