

FUTEK MODEL LCA700
STK# FSH01904

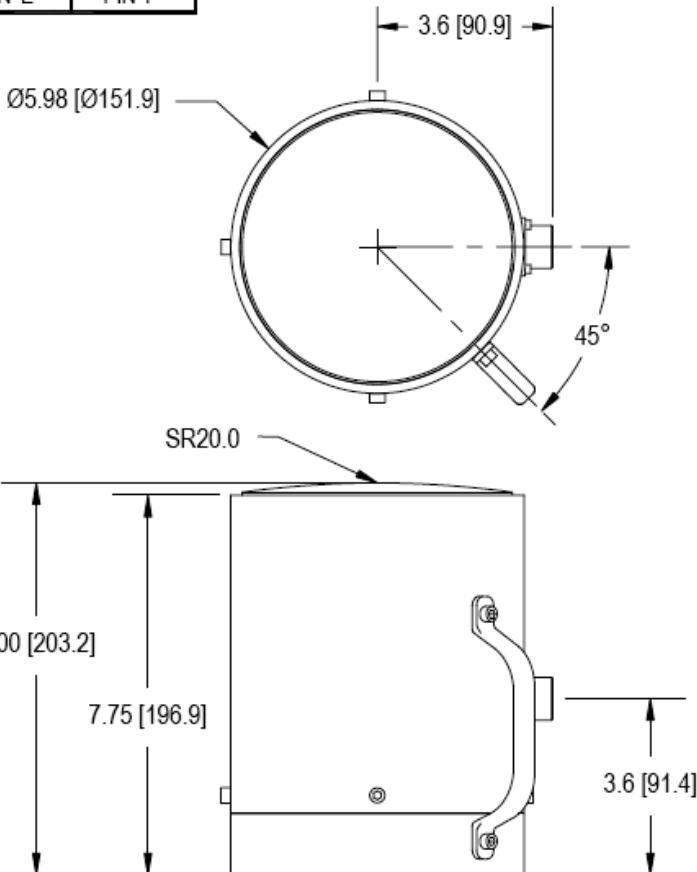
HIGH CAPACITY LOAD CELL

(Previously Q10654)

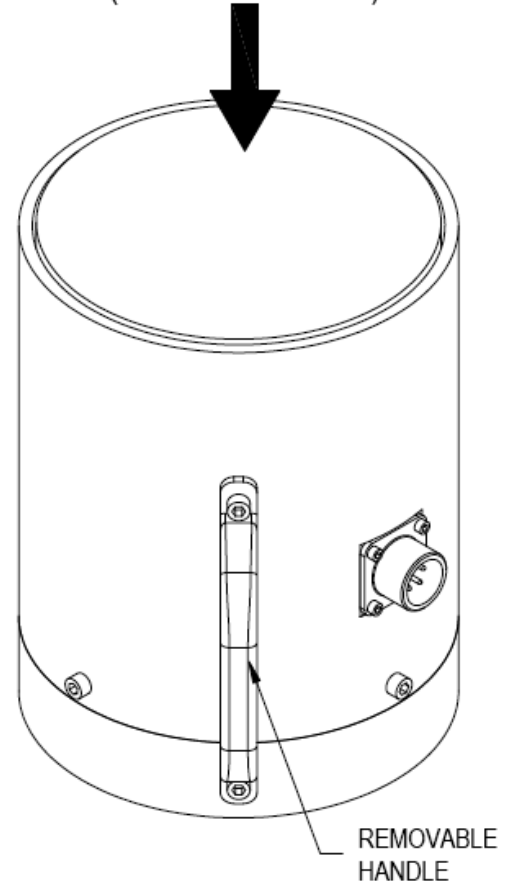
Drawing Number: FI1132

INCH (mm) | R.O.= Rated Output

CONNECTOR CODE			
+Excitation	-Excitation	+Signal	-Signal
RED PIN 'A'	BLACK PIN 'B'	GREEN PIN 'C'	WHITE PIN 'D'
+Sense	-Sense		
ORANGE PIN 'E'	BLUE PIN 'F'		



+ OUTPUT
(COMPRESSION)



SPECIFICATIONS:

RATED OUTPUT	2 mV/V nom.
CAPACITY	750000 lb
SAFE OVERLOAD	150% of R.O.
ZERO BALANCE	±2% of R.O.
EXCITATION (VDC OR VAC)	20 Max
BRIDGE RESISTANCE	350 Ω nom
NONLINEARITY	±0.25% of R.O.
HYSTERESIS	±0.25% of R.O.
NONREPEATABILITY	±0.1% of R.O.
TEMP. SHIFT ZERO	±0.02% of R.O./°F
TEMP. SHIFT SPAN	±0.02% of LOAD/°F
COMPENSATED TEMP.	60 to 160°F
OPERATING TEMP.	0 to 160°F
WEIGHT	50 lb
MATERIAL	17-4PH S.S.
CONNECTOR (STANDARD)	PT02A-10-6P
CONNECTOR (OPTIONAL)	MS3102A-14S-5P
ACCESSORIES AND RELATED INSTRUMENTS AVAILABLE	
CALIBRATION (STD)	5 pt. COMPRESSION: 60.4K Ω SHUNT CAL. VALUE
CALIBRATION TEST EXCITATION	10 VDC

系泰機電有限公司

Tel : (04)2706-9659
Fax: (04)2452-0110

www.accusystech.com

E-mail: sales@accusystech.com