

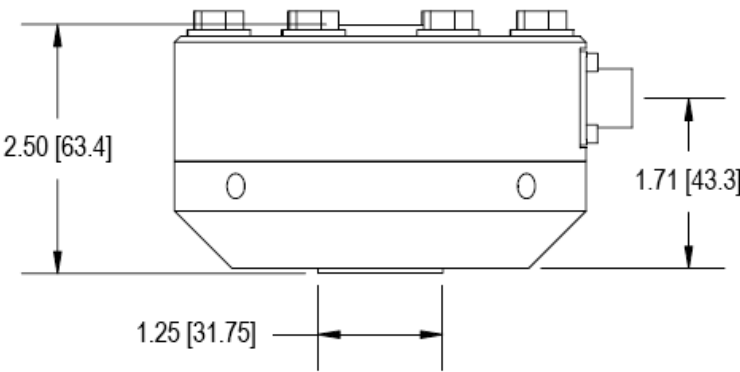
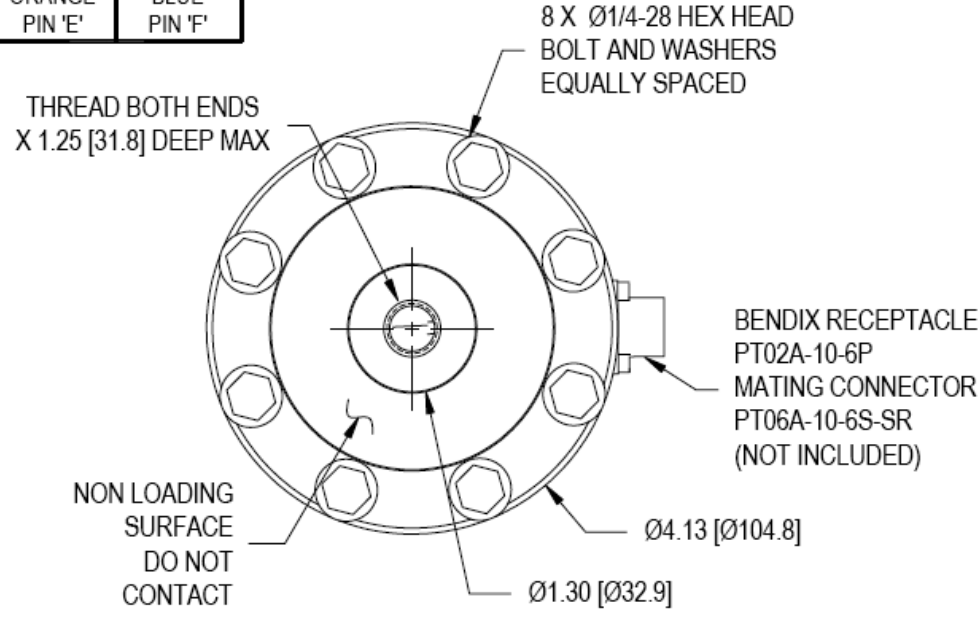
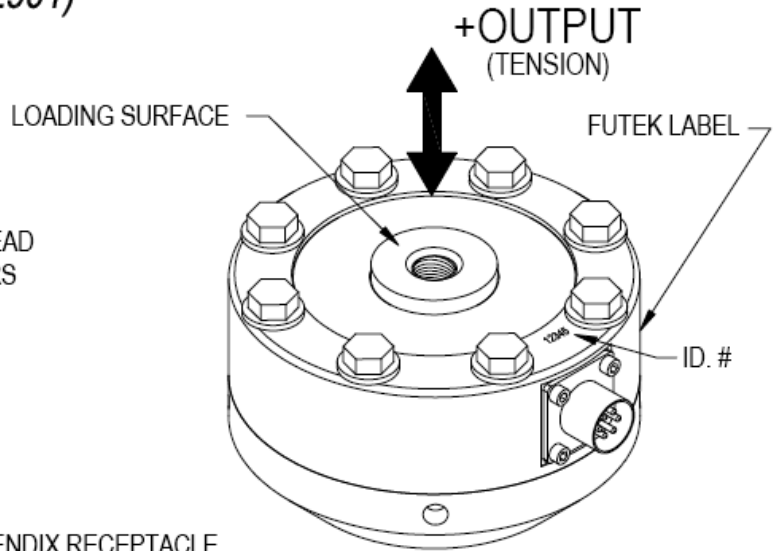
FUTEK MODEL LCF455

Drawing Number: FI1042

INCH [mm] | R.O.= Rated Output

WIRING CODE (CC1)			
+Excitation	-Excitation	+Signal	-Signal
RED PIN 'A'	BLACK PIN 'B'	GREEN PIN 'C'	WHITE PIN 'D'
+Sense	-Sense		
ORANGE PIN 'E'	BLUE PIN 'F'		

LOW PROFILE UNIVERSAL PANCAKE LOAD CELL (Previously L2901)



STANDARD VERSION. REFER TO LCF450 FOR VERSION WITHOUT BASE PLATE

SPECIFICATIONS:

RATED OUTPUT	2 mV/V nom.
SAFE OVERLOAD	150% of R.O.
ZERO BALANCE	±1% of R.O.
EXCITATION (VDC OR VAC)	20 MAX
BRIDGE RESISTANCE	700 Ω
NONLINEARITY	±0.1% of R.O. } HIGHER SPECIFICATIONS OF 0.05% AVAILABLE
HYSTERESIS	±0.2% of R.O. } CONTACT FACTORY
NONREPEATABILITY	±0.02% of R.O.
CREEP	±0.02% of LOAD
TEMP. SHIFT ZERO	±0.001% of R.O./°F [0.0018% of R.O./°C]
TEMP. SHIFT SPAN	±0.002% of LOAD/°F [0.0036% of LOAD/°C]
COMPENSATED TEMP.	60 to 160°F [15 to 72°C]
OPERATING TEMP.	-60 to 200°F [-50 to 93°C]
DEFLECTION	0.002 to 0.005 [0.05 to 0.13] nom.
CONNECTOR: 6 Pin BENDIX Receptacle (PT02A-10-6P)	
ACCESSORIES AND RELATED INSTRUMENTS AVAILABLE	
CALIBRATION (STD)	5 pt. COMPRESSION; 100K Ω SHUNT CAL. VALUE
CALIBRATION (AVAILABLE)	5pt. TENSION
CALIBRATION TEST EXCITATION	10 VDC

Stock #	CAPACITY		THREAD	Material
	lb	N		
FSH01966	300	1334	5/8-18	6.9lb[3.2kg] 17-4PH S.S.
FSH02227			M16 X 2	
FSH00203	500	2224	5/8-18	2.5lb[1.1kg] Anodized Aluminum
FSH02106			M16 X 2	
FSH00204	1000	4448	5/8-18	
FSH02107			M16 X 2	
FSH00205	2000	8896	5/8-18	
FSH01708			M16 X 2	
FSH00194	5000	22240	5/8-18	6.9lb[3.2kg] 17-4PH S.S.
FSH02110			M16 X 2	
FSH02046	10000	44480	5/8-18	
FSH02221			M16 X 2	

系泰機電有限公司

Tel : (04)2706-9659
Fax: (04)2452-0110

www.accusystem.com

E-mail: sales@accusystem.com