

FUTEK MODEL LCF500 (L2900)

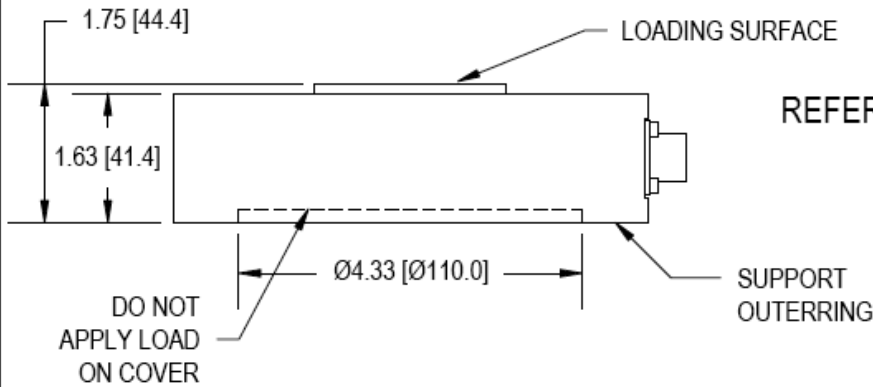
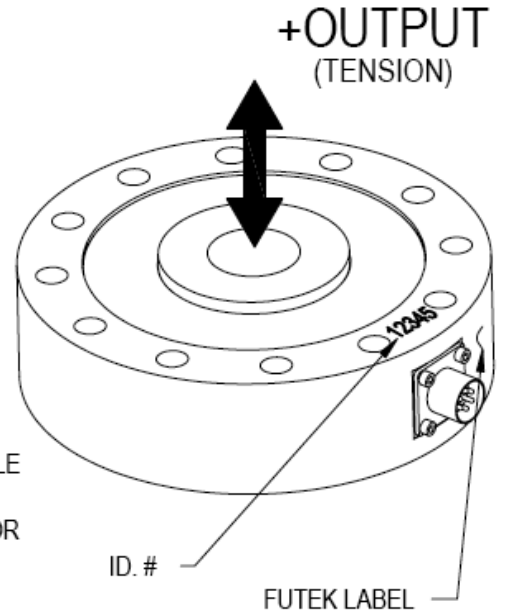
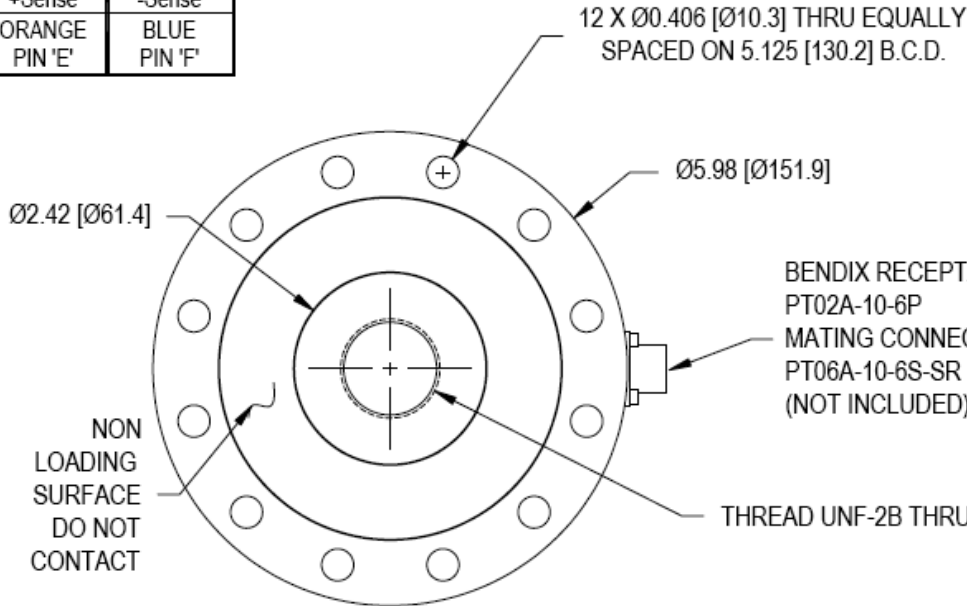
LOW PROFILE UNIVERSAL PANCAKE LOAD CELL

Drawing Number: FI1012

INCH [mm] R.O.= Rated Output

WIRING CODE (CC1)

+Excitation	-Excitation	+Signal	-Signal
RED PIN 'A'	BLACK PIN 'B'	GREEN PIN 'C'	WHITE PIN 'D'
+Sense	-Sense		
ORANGE PIN 'E'	BLUE PIN 'F'		



REFER TO LCF505 FOR TENSION BASE VERSION

Stock #	CAPACITY		THREAD
	lb	N	
FSH00149	20K	88960	1 1/4 -12
FSH01354			M33 X 2
FSH00150	30K	133400	1 1/4 -12
FSH01355			M33 X 2
FSH00151	50K	222400	1 1/4 -12
FSH00954			M33 X 2

SPECIFICATIONS:

RATED OUTPUT	2 mV/V nom.
SAFE OVERLOAD	150% of R.O.
ZERO BALANCE	±1% of R.O.
EXCITATION (VDC OR VAC)	20 MAX
BRIDGE RESISTANCE	350 Ω
NONLINEARITY	±0.1% of R.O. HIGHER SPECIFICATIONS OF 0.05% AVAILABLE
HYSTERESIS	±0.2% of R.O. CONTACT FACTORY
NONREPEATABILITY	±0.02% of R.O.
CREEP	±0.02% of LOAD
TEMP. SHIFT ZERO	±0.001% of R.O./°F [0.0018% of R.O./°C]
TEMP. SHIFT SPAN	±0.002% of LOAD/°F [0.0036% of LOAD/°C]
COMPENSATED TEMP.	60 to 160°F [15 to 72°C]
OPERATING TEMP.	-60 to 200°F [-50 to 93°C]
MATERIAL	17-4PH / ALLOY STEEL
WEIGHT	9lb [4.1kg]
DEFLECTION	0.002 to 0.005 [0.05 to 0.13] nom.
CONNECTOR:	6 Pin BENDIX Receptacle (PT02A-10-6P)
ACCESSORIES AND RELATED INSTRUMENTS AVAILABLE	
CALIBRATION (STD)	5pt. COMPRESSION; 60.4 KΩ SHUNT CAL. VALUE
CALIBRATION TEST EXCITATION	10 VDC

OTHER AVAILABLE RECEPTACLES & MATING CONNECTORS

BENDIX RECEPTACLE (PC04E-10-6P)
 BENDIX MATING CONNECTOR (PC06E-10-6S-SR)
 BENDIX RECEPTACLE (PT02H-10-6P)
 BENDIX MATING CONNECTOR (PT06A-10-6S-SR)

系泰機電有限公司

Tel : (04)2706-9659
 Fax: (04)2452-0110

www.accusystem.com
 E-mail: sales@accusystem.com