

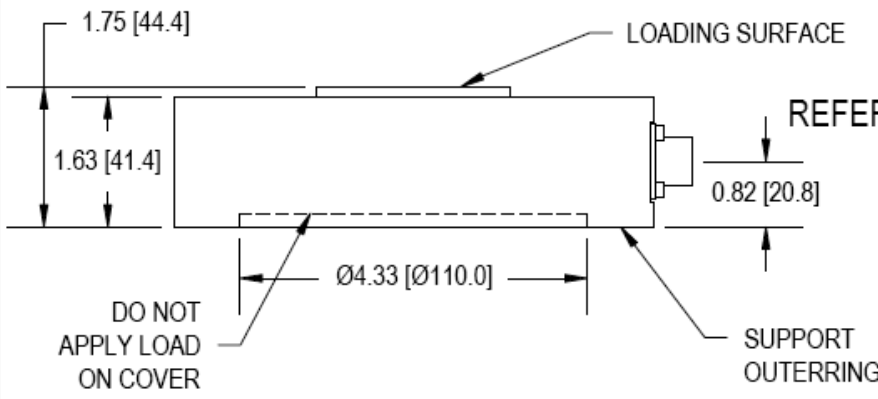
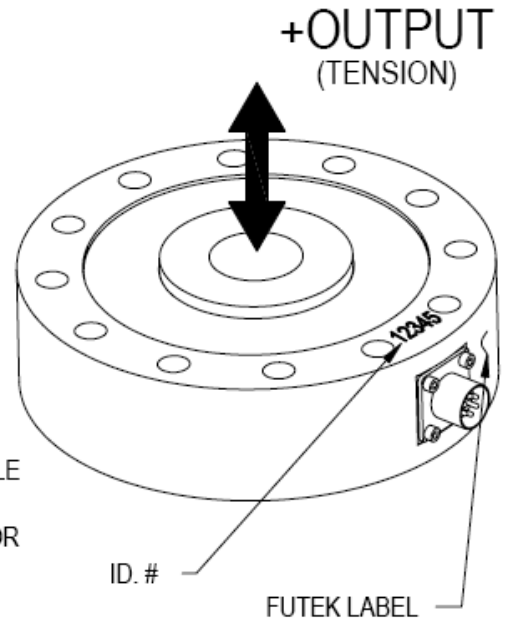
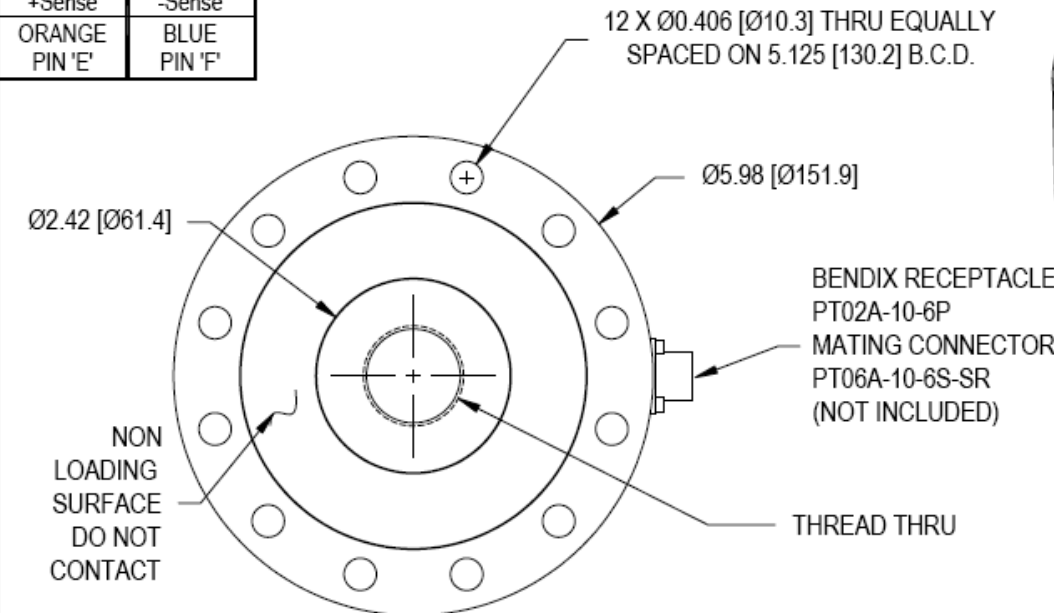
FUTEK MODEL LCF501 (L2903) FATIGUE RATED LOW PROFILE UNIVERSAL PANCAKE LOAD CELL

Drawing Number: FI1178

INCH [mm] R.O.= Rated Output

WIRING CODE (CC1)

+Excitation	-Excitation	+Signal	-Signal
RED PIN 'A'	BLACK PIN 'B'	GREEN PIN 'C'	WHITE PIN 'D'
+Sense	-Sense		
ORANGE PIN 'E'	BLUE PIN 'F'		



REFER TO LCF506 FOR TENSION BASE VERSION

Stock #	CAPACITY		THREAD
	lb	N	
FSH01494	5K	22240	1 1/4 -12
FSH02245			M33 X 2
FSH01495	10K	44480	1 1/4 -12
FSH02246			M33 X 2
FSH01496	25K	111200	1 1/4 -12
FSH02247			M33 X 2

SPECIFICATIONS:

- RATED OUTPUT: 1 mV/V nom.
- SAFE OVERLOAD: 150% of R.O.
- ZERO BALANCE: ±1% of R.O.
- EXCITATION (VDC OR VAC): 20 MAX
- BRIDGE RESISTANCE: 700 Ω nom. (5 Kib), 350 Ω nom. (10-25 Kib).
- NONLINEARITY: ±0.1% of R.O.
- HYSTERESIS: ±0.2% of R.O. } HIGHER SPECIFICATIONS OF 0.05% AVAILABLE
- NONREPEATABILITY: ±0.02% of R.O. } CONTACT FACTORY
- CREEP: ±0.02% of LOAD
- TEMP. SHIFT ZERO: ±0.001% of R.O./°F [0.0018% of R.O./°C]
- TEMP. SHIFT SPAN: ±0.002% of LOAD/°F [0.0036% of LOAD/°C]
- COMPENSATED TEMP.: 60 to 160°F [15 to 72°C]
- OPERATING TEMP.: -60 to 200°F [-50 to 93°C]
- MATERIAL: 17-4PH S.S.
- WEIGHT: 9lb [4.1kg]
- DEFLECTION: 0.002 to 0.005 [0.05 to 0.13] nom.
- CONNECTOR: 6 Pin BENDIX Receptacle (PT02A-10-6P)
- ACCESSORIES AND RELATED INSTRUMENTS AVAILABLE
- CALIBRATION (STD): 5pt. COMPRESSION; 200K Ω (5 Kib) 100K Ω (10-25 Kib) SHUNT CAL. VALUE
- CALIBRATION TEST EXCITATION: 10 VDC

OTHER AVAILABLE RECEPTACLES & MATING CONNECTORS

BENDIX RECEPTACLE (PC04E-10-6P)
 BENDIX MATING CONNECTOR (PC06E-10-6S-SR)

BENDIX RECEPTACLE (PT02H-10-6P)
 BENDIX MATING CONNECTOR (PT06A-10-6S-SR)

系泰機電有限公司

Tel : (04)2706-9659
 Fax: (04)2452-0110

www.accusystem.com
 E-mail: sales@accusystem.com