

FUTEK MODEL LCF550 (L2900)
 STOCK# FSH00153

LOW PROFILE UNIVERSAL PANCAKE LOAD CELL

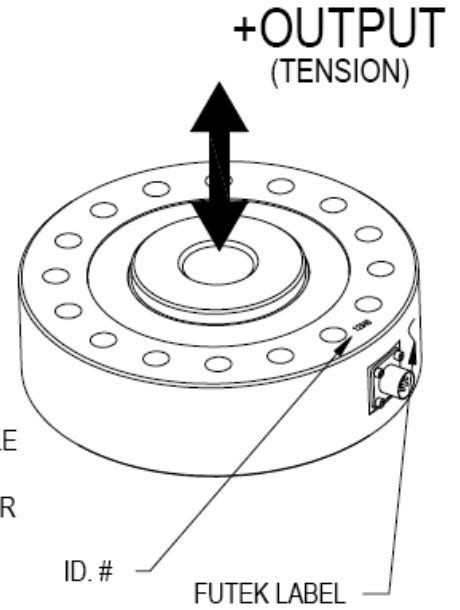
Drawing Number: FI1013

INCH [mm] R.O.= Rated Output

WIRING CODE (CC1)

| +Excitation | -Excitation | +Signal | -Signal |
|-------------------|------------------|------------------|------------------|
| RED PIN 'A' | BLACK PIN 'B' | GREEN PIN 'C' | WHITE PIN 'D' |
| +Sense | -Sense | | |
| ORANGE PIN 'E' | BLUE PIN 'F' | | |

16 X Ø0.531 [Ø13.5] THRU EQUALLY SPACED ON 6.50 [165.1] B.C.D.



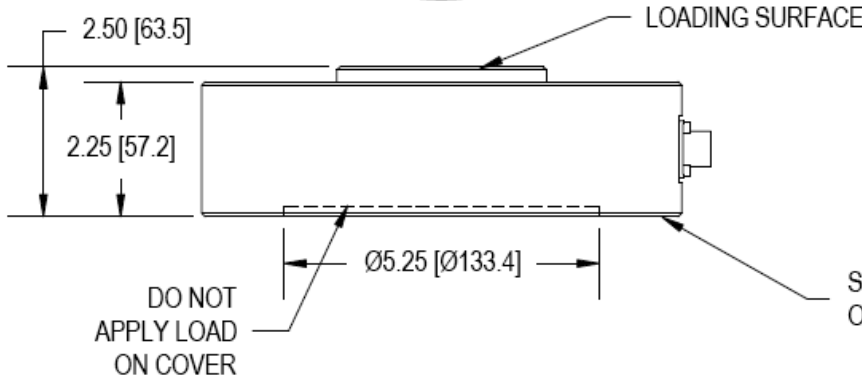
Ø3.50 [Ø88.8]

Ø8.00 [Ø203.2]

BENDIX RECEPTACLE PT02A-10-6P MATING CONNECTOR PT06A-10-6S-SR (NOT INCLUDED)

NON LOADING SURFACE DO NOT CONTACT

1 3/4-12 UNF-2B THRU



REFER TO LCF555 FOR TENSION BASE VERSION

SPECIFICATIONS:

| | |
|---|--|
| RATED OUTPUT | 2 mV/V nom. |
| CAPACITY | 100K lb [444800N] |
| SAFE OVERLOAD | 150% of R.O. |
| ZERO BALANCE | ±1% of R.O. |
| EXCITATION (VDC OR VAC) | 20 MAX |
| BRIDGE RESISTANCE | 350 Ω |
| NONLINEARITY | ±0.1% of R.O. |
| HYSTERESIS | ±0.2% of R.O. } HIGHER SPECIFICATIONS OF 0.05% AVAILABLE |
| NONREPEATABILITY | ±0.02% of R.O. } CONTACT FACTORY |
| CREEP | ±0.02% of LOAD |
| TEMP. SHIFT ZERO | ±0.001% of R.O./°F [0.0018% of R.O./°C] |
| TEMP. SHIFT SPAN | ±0.002% of LOAD/°F [0.0036% of LOAD/°C] |
| COMPENSATED TEMP. | 60 to 160°F [15 to 72°C] |
| OPERATING TEMP. | -60 to 200°F [-50 to 93°C] |
| MATERIAL | 17-4PH / ALLOY STEEL |
| WEIGHT | 24lb [10.9kg] |
| DEFLECTION | 0.002 to 0.005 [0.05 to 0.13] nom. |
| CONNECTOR: 6 Pin BENDIX Receptacle (PT02A-10-6P) | |
| ACCESSORIES AND RELATED INSTRUMENTS AVAILABLE | |
| CALIBRATION (STD) | 5pt COMPRESSION; 60.4 KΩ SHUNT CAL. VALUE |
| CALIBRATION TEST EXCITATION | 10 VDC |

OTHER AVAILABLE RECEPTACLES & MATING CONNECTORS

BENDIX RECEPTACLE (PC04E-10-6P)
 BENDIX MATING CONNECTOR (PC06E-10-6S-SR)
 BENDIX RECEPTACLE (PT02H-10-6P)
 BENDIX MATING CONNECTOR (PT06A-10-6S-SR)

系泰機電有限公司

Tel : (04)2706-9659
 Fax: (04)2452-0110

www.accusystech.com

E-mail: sales@accusystech.com