

FUTEK MODEL LCF556
STK# FSH00214

FATIGUE RATED LOW PROFILE UNIVERSAL PANCAKE LOAD CELL
(Previously L2902)

Drawing Number: FI1182

INCH [mm] R.O.= Rated Output

WIRING CODE (CC1)

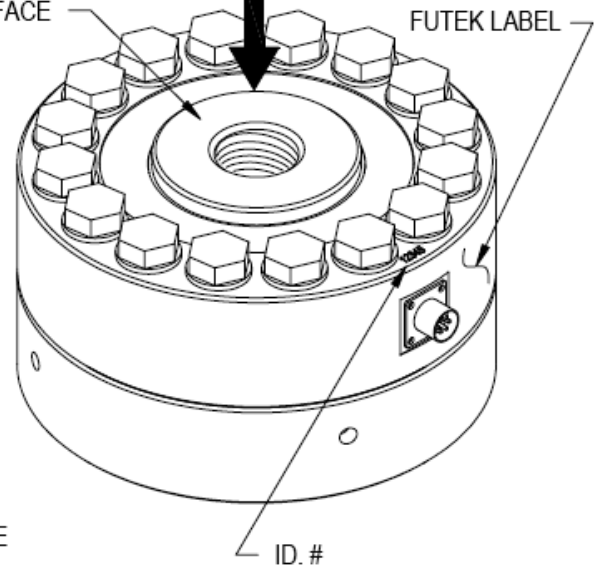
+Excitation	-Excitation	+Signal	-Signal
RED PIN 'A'	BLACK PIN 'B'	GREEN PIN 'C'	WHITE PIN 'D'
+Sense ORANGE PIN 'E'	-Sense BLUE PIN 'F'		

LOADING SURFACE

+OUTPUT
(TENSION)

FUTEK LABEL

16 X Ø1/2-20 HEX HEAD
BOLT AND WASHERS
EQUALLY SPACED



Ø3.50 [Ø88.8]

1 3/4-12 BOTH ENDS
X 2.25 [57.15] DEEP MAX

BENDIX RECEPTACLE
PT02A-10-6P
MATING CONNECTOR
PT06A-10-6S-SR
(NOT INCLUDED)

NON LOADING
SURFACE
DO NOT
CONTACT

Ø8.00 [Ø203.2]



SPECIFICATIONS:

CAPACITY	50k lb [222 kN]
RATED OUTPUT	1 mV/V nom.
SAFE OVERLOAD	150% of R.O.
ZERO BALANCE	±1% of R.O.
EXCITATION (VDC OR VAC)	20 MAX
BRIDGE RESISTANCE	350 Ω
NONLINEARITY	±0.1% of R.O. } HIGHER SPECIFICATIONS OF 0.05% AVAILABLE
HYSTERESIS	±0.2% of R.O. } CONTACT FACTORY
NONREPEATABILITY	±0.02% of R.O.
CREEP	±0.02% of LOAD
TEMP. SHIFT ZERO	±0.001% of R.O./°F [0.0018% of R.O./°C]
TEMP. SHIFT SPAN	±0.002% of LOAD/°F [0.0036% of LOAD/°C]
COMPENSATED TEMP.	60 to 160°F [15 to 72°C]
OPERATING TEMP.	-60 to 200°F [-50 to 93°C]
DEFLECTION	0.005 [0.13] nom.
MATERIAL	17-4PH S.S.
WEIGHT	50 lb [22.7 kg]
CONNECTOR:	6 Pin BENDIX Receptacle (PT02A-10-6P)
ACCESSORIES AND RELATED INSTRUMENTS AVAILABLE	
CALIBRATION (STD)	5 pt. COMPRESSION; 100K Ω SHUNT CAL. VALUE
CALIBRATION (AVAILABLE)	5pt. TENSION
CALIBRATION TEST EXCITATION	10 VDC

REFER TO LCF551 FOR VERSION WITHOUT
BASE PLATE

**OTHER AVAILABLE RECEPTACLES &
MATING CONNECTORS**

BENDIX RECEPTACLE (PC04E-10-6P)
BENDIX MATING CONNECTOR (PC06E-10-6S-SR)

系泰機電有限公司

Tel : (04)2706-9659
Fax: (04)2452-0110

www.accusystem.com

E-mail: sales@accusystem.com