

FUTEK MODEL LCM350 (L1650) *MINIATURE INLINE THREADED TENSION AND COMPRESSION LOAD CELL*

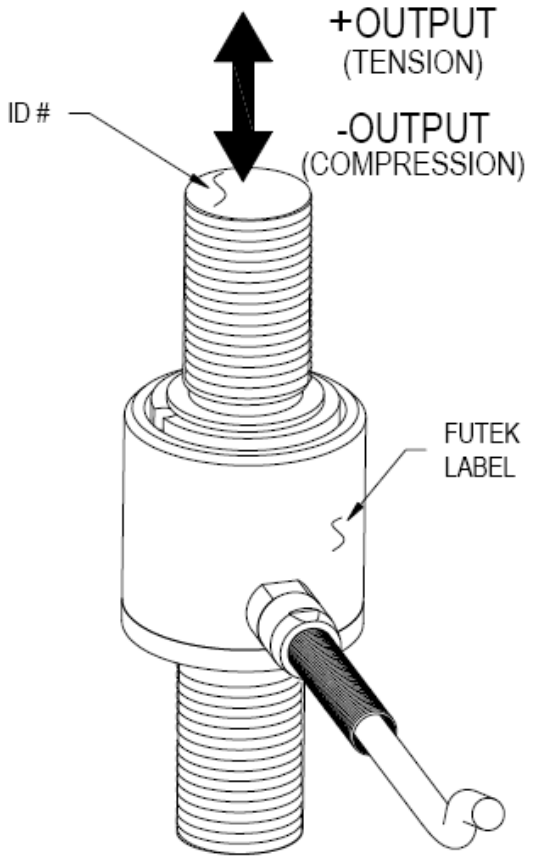
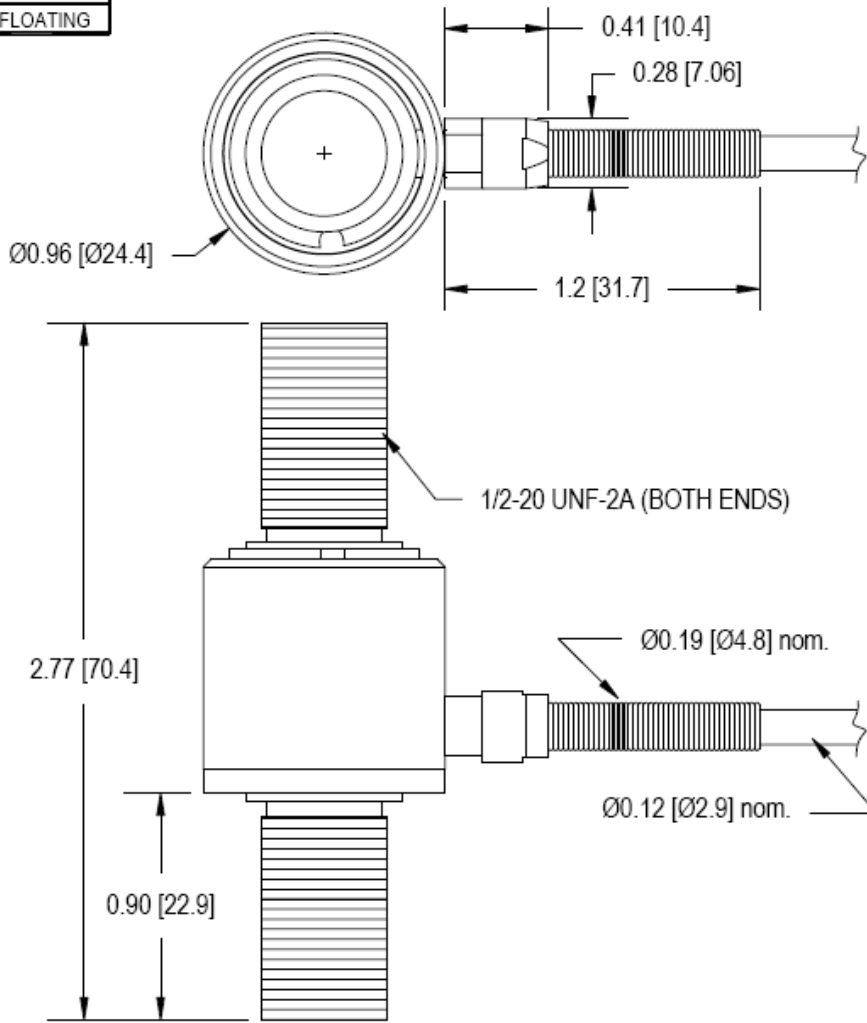
Drawing Number: FI1061-A

INCH [mm] | R.O.= Rated Output

WIRING CODE (WC1)

+Excitation	-Excitation	+Signal	-Signal
RED	BLACK	GREEN	WHITE

Shield
FLOATING



STK #	CAPACITIES	
	lb	N
FSH00673	4K	17792
FSH00674	5K	22240

SPECIFICATIONS:

- | | |
|---|---|
| RATED OUTPUT | 2 mV/V nom. |
| SAFE OVERLOAD | 150% of R.O. |
| ZERO BALANCE | ±3% of R.O. |
| EXCITATION (VDC OR VAC) | 18 MAX |
| BRIDGE RESISTANCE | 350 Ω nom. |
| NONLINEARITY | ±0.5% of R.O. } IMPROVED ACCURACY |
| HYSTERESIS | ±0.5% of R.O. } AVAILABLE CONTACT |
| NONREPEATABILITY | ±0.1% of R.O. } FACTORY |
| TEMP. SHIFT ZERO | ±0.005% of R.O./°F [0.01% of R.O./°C] |
| TEMP. SHIFT SPAN | ±0.02% of LOAD/°F [0.036% of LOAD/°C] |
| COMPENSATED TEMP. | 60 to 160°F [15 to 72°C] |
| OPERATING TEMP. | -45 to 200°F [-42 to 93°C] |
| WEIGHT | 5.5oz. [156g] |
| MATERIAL (FLEXURE) | 17-4PH S.S. |
| DEFLECTION | 0.001 to 0.002 [0.03 to 0.05] nom. |
| CABLE: #28 AWG, 4 Conductor, Spiral Shielded PVC Cable 10 ft [3 m] Long | |
| ACCESSORIES AND RELATED INSTRUMENTS AVAILABLE | |
| CALIBRATION (STD) | 5 pt TENSION; 60.4 KΩ SHUNT CAL. VALUE |
| CALIBRATION (AVAILABLE) | COMPRESSION |
| CALIBRATION TEST EXCITATION | 10 VDC |



This drawing is submitted solely for the information and exclusive use of the original addressee. It is not to be divulged in whole or in part, by any firm or individual without written permission from FUTEK

**10 THOMAS
IRVINE, CA 92618 USA
1-800-23-FUTEK (38835)**