

FUTEK MODEL LCM375 (L1650) MINIATURE INLINE THREADED TENSION AND COMPRESSION LOAD CELL

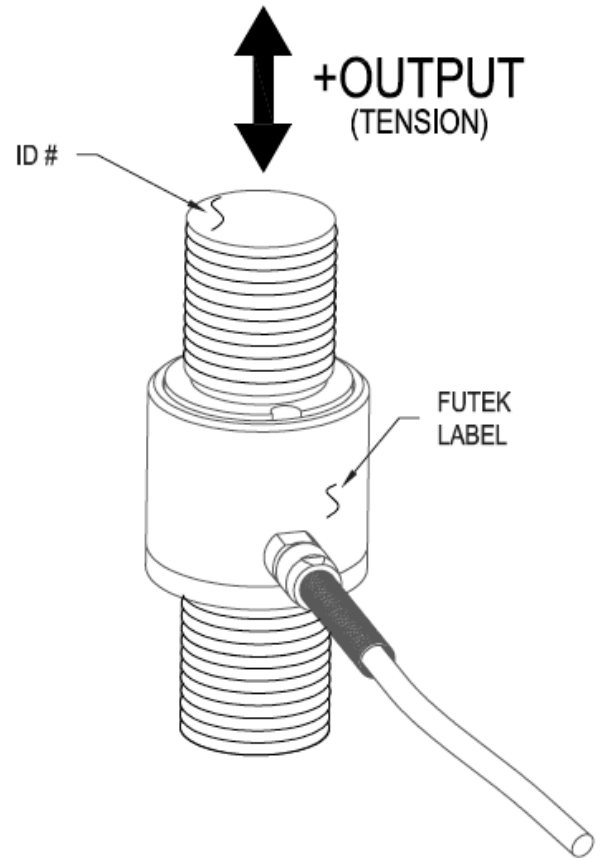
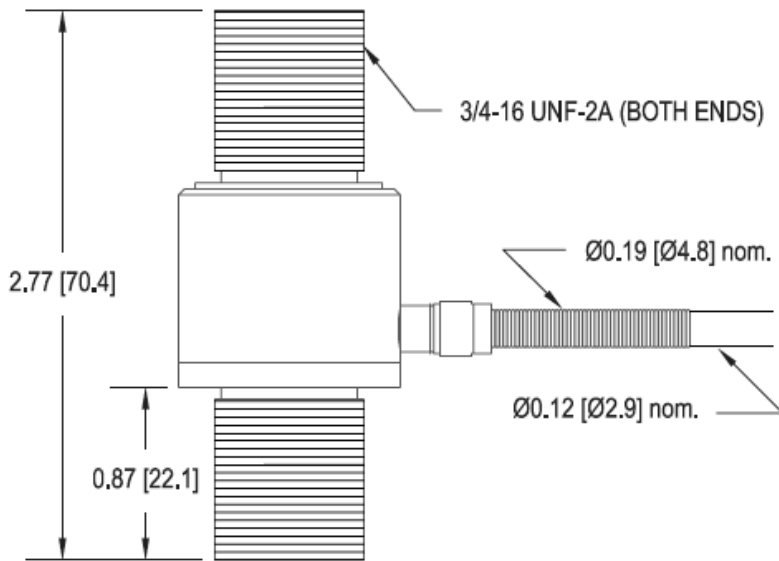
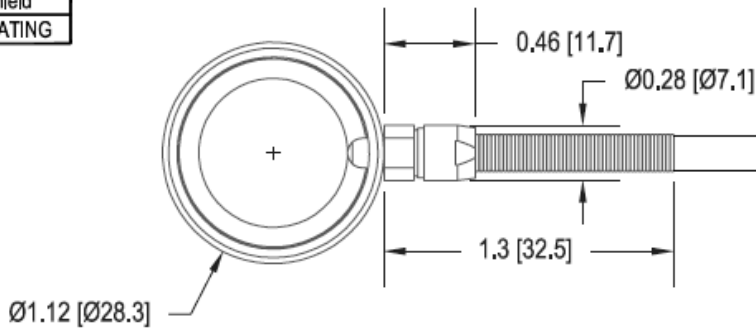
Drawing Number: FI1062

INCH [mm] | R.O.= Rated Output

WIRING CODE (WC1)

+Excitation	-Excitation	+Signal	-Signal
RED	BLACK	GREEN	WHITE

Shield
FLOATING



CAPACITIES		
STK #	lb	N
FSH00675	7.5K	33360
FSH00676	10K	44480

SPECIFICATIONS:

RATED OUTPUT	2 mV/V nom.
SAFE OVERLOAD	150% of R.O.
ZERO BALANCE	±1% of R.O.
EXCITATION (VDC OR VAC)	18 MAX
BRIDGE RESISTANCE	350 Ω nom.
NONLINEARITY	±0.5% of R.O. } IMPROVED ACCURACY
HYSTERESIS	±0.5% of R.O. } AVAILABLE CONTACT
NONREPEATABILITY	±0.1% of R.O. } FACTORY
TEMP. SHIFT ZERO	±0.005% of R.O./°F [0.01% of R.O./°C]
TEMP. SHIFT SPAN	±0.02% of LOAD/°F [0.036% of LOAD/°C]
COMPENSATED TEMP.	60 to 160°F [15 to 72°C]
OPERATING TEMP.	-45 to 200°F [-42 to 93°C]
WEIGHT	8oz [227g]
MATERIAL (FLEXURE)	17-4PH S.S.
DEFLECTION	0.001 to 0.002 [0.03 to 0.05] nom.
CABLE: #28 AWG, 4 Conductor, Spiral Shielded PVC Cable 10 ft [3 m] Long	
ACCESSORIES AND RELATED INSTRUMENTS AVAILABLE	
CALIBRATION (STD)	5 pt TENSION; 60.4 KΩ SHUNT CAL. VALUE
CALIBRATION (AVAILABLE)	COMPRESSION
CALIBRATION TEST EXCITATION	10 VDC

系泰機電有限公司

Tel : (04)2706-9659
Fax: (04)2452-0110

www.accusystech.com

E-mail: sales@accusystech.com