

FUTEK MODEL LCM400
STK# FSH01909

MINIATURE INLINE THREADED TENSION AND COMPRESSION LOAD CELL
(Previously L1656)

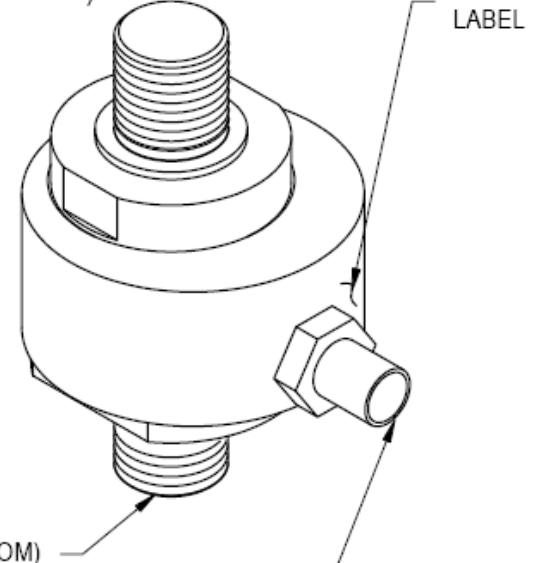
Drawing Number: FI1120-A

INCH [mm] R.O.= Rated Output

WIRING CODE (CC6)

+Excitation	-Excitation	+Signal	-Signal
RED PIN 'A'	BLACK PIN 'B'	GREEN/YELLOW PIN 'C'	WHITE PIN 'D'

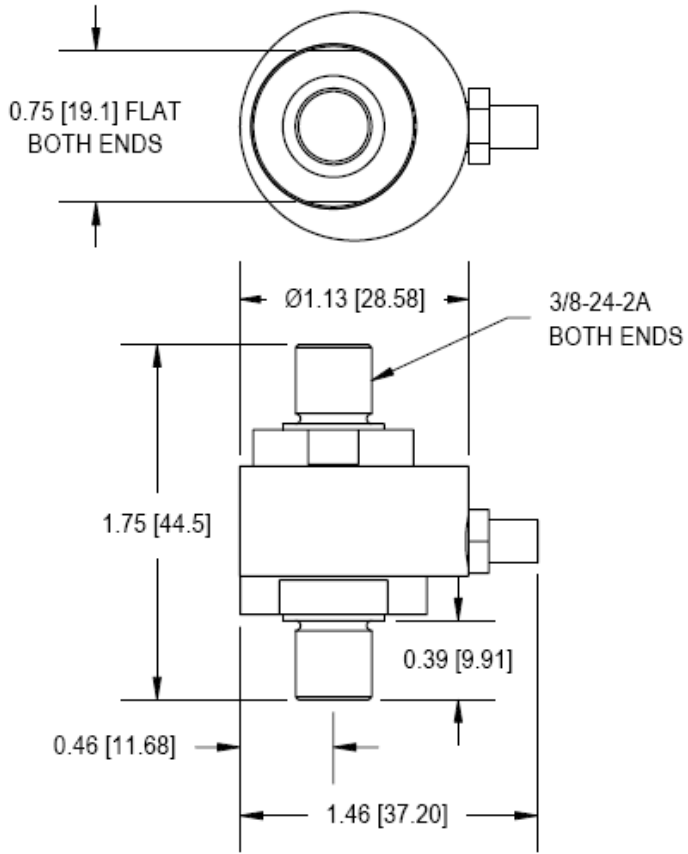
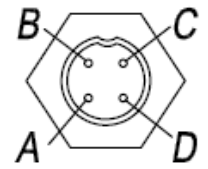
-OUTPUT
(TENSION)
↑
+OUTPUT
(COMPRESSION)
↓



ID. # (BOTTOM)

MICROTECH RECEPTACLE
DR-4S-4
MATING CONNECTOR
DP-4S-1
(NOT INCLUDED)

KEY IS FACING
UPWARDS



SPECIFICATIONS:

CAPACITY	2500 lb [11120 N]
RATED OUTPUT	1 mV/V nom.
SAFE OVERLOAD	150% of R.O.
ZERO BALANCE	±3% of R.O.
EXCITATION (VDC OR VAC)	18 MAX
BRIDGE RESISTANCE	350Ω nom.
NONLINEARITY	±0.5% of R.O.
HYSTERESIS	±0.5% of R.O.
NONREPEATABILITY	±0.2% of R.O.
TEMP. SHIFT ZERO	±0.01% of R.O./°F [0.018% of R.O./°C]
TEMP. SHIFT SPAN	±0.02% of LOAD/°F [0.036% of LOAD/°C]
COMPENSATED TEMP.	60 to 160°F [15 to 72°C]
OPERATING TEMP.	-60 to 200°F [-50 to 93°C]
MATERIAL (SENSOR)	17-4PH S.S.
MATERIAL (COVER)	WELDED 17-4PH S.S.
WEIGHT	2.5 oz [71 g]
DEFLECTION	0.001 [0.03] nom.
CONNECTOR: MICROTECH 4 Pin Receptacle (DR-4S-4)	
ACCESSORIES AND RELATED INSTRUMENTS AVAILABLE	
CALIBRATION (STD)	5 pt. COMPRESSION; 100K Ω SHUNT CAL. VALUE
CALIBRATION (AVAILABLE)	TENSION
CALIBRATION TEST EXCITATION	10 VDC



This drawing is submitted solely for the information and exclusive use of the original addressee. It is not to be divulged in whole or in part, by any firm or individual without written permission from FUTEK

10 THOMAS
IRVINE, CA 92618 USA
1-800-23-FUTEK (38835)