

FUTEK MODEL LCM525

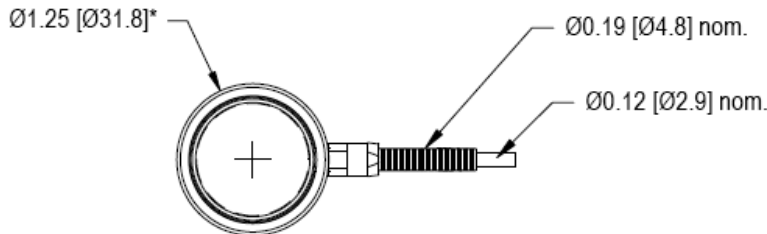
Drawing Number: F11095-A

INCH [mm] R.O.= Rated Output

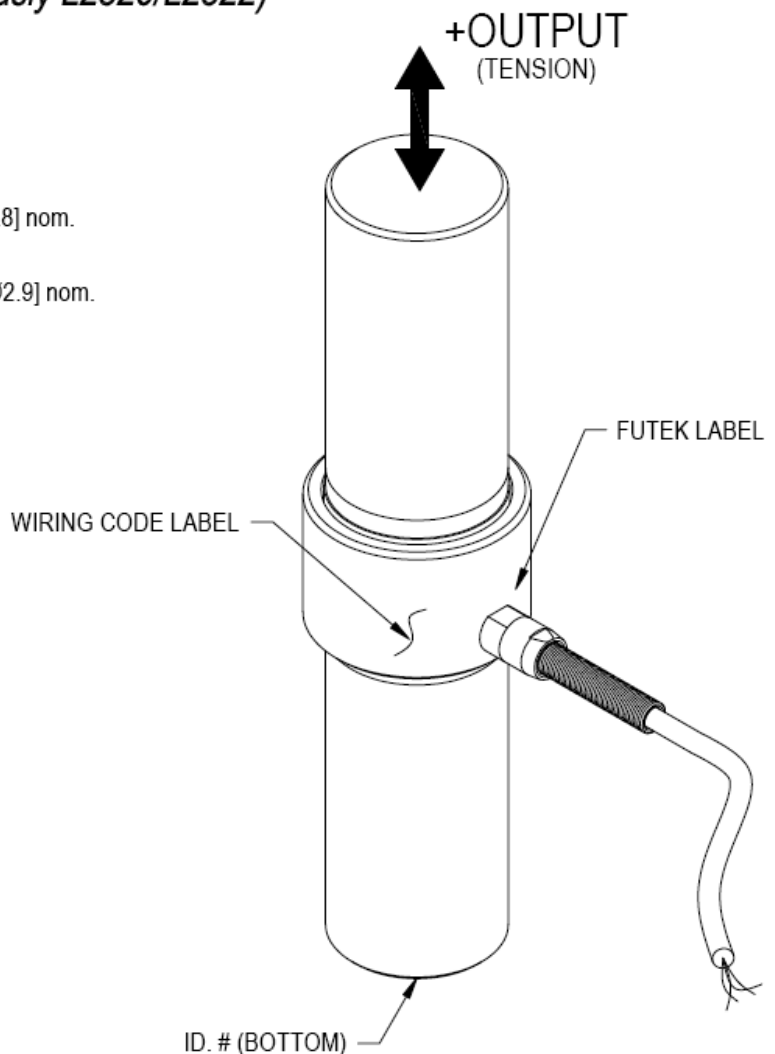
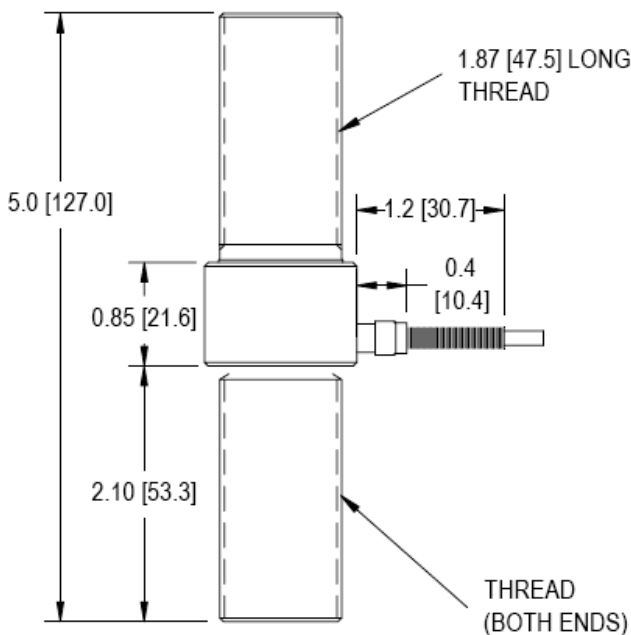
WIRING CODE (WC1)			
+Excitation	-Excitation	+Signal	-Signal
RED	BLACK	GREEN	WHITE

THREADED ROD LOAD CELL

(Previously L2820/L2822)



* COVER DIAMETER WAS INCREASED FROM 1.1 [28.2]



SPECIFICATIONS:

RATED OUTPUT	2 mV/V nom.
SAFE OVERLOAD	150% of R.O.
ZERO BALANCE	±1% of R.O.
EXCITATION (VDC OR VAC)	18 MAX
BRIDGE RESISTANCE	350 Ω nom.
NONLINEARITY	±0.2% of R.O.
HYSTERESIS	±0.2% of R.O.
NONREPEATABILITY	±0.1% of R.O.
TEMP. SHIFT ZERO	±0.005% of R.O./°F [0.01% of R.O./°C]
TEMP. SHIFT SPAN	±0.005% of LOAD/°F [0.01% of LOAD/°C]
COMPENSATED TEMP.	60 to 160°F [15 to 72°C]
OPERATING TEMP.	-45 to 200°F [-42 to 93°C]
MATERIAL (FLEXURE)	17-4PH S.S.
MATERIAL (COVER)	ALUMINUM
WEIGHT	18 oz [510 g]
DEFLECTION	0.001 [0.03] nom.
CABLE: #28 AWG, 4 Conductor, Spiral Shielded PVC Cable 10 ft [3 m] Long	
ACCESSORIES AND RELATED INSTRUMENTS AVAILABLE	
CALIBRATION (STD)	5 pt. TENSION; 60.4KΩ SHUNT CAL. VALUE
CALIBRATION (AVAILABLE)	COMPRESSION
CALIBRATION TEST EXCITATION	10 VDC

FOR LOWER CAPACITIES REFER TO LCM300

STK#	CAPACITIES		THREAD
	b	N	
FSH00838	10000	44480	1-14-3A
FSH00843			M24 x 3
FSH00839	20000	88960	1-14-3A
FSH00844			M24 x 3

系泰機電有限公司

Tel : (04)2706-9659
Fax: (04)2452-0110

www.accusystech.com

E-mail: sales@accusystech.com