

# FUTEK MODEL LCM550

# THREADED ROD LOAD CELL

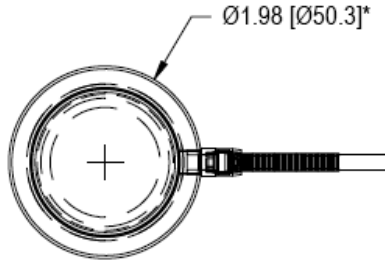
**Drawing Number: FI1096-B**

(Previously L2820/L2822)

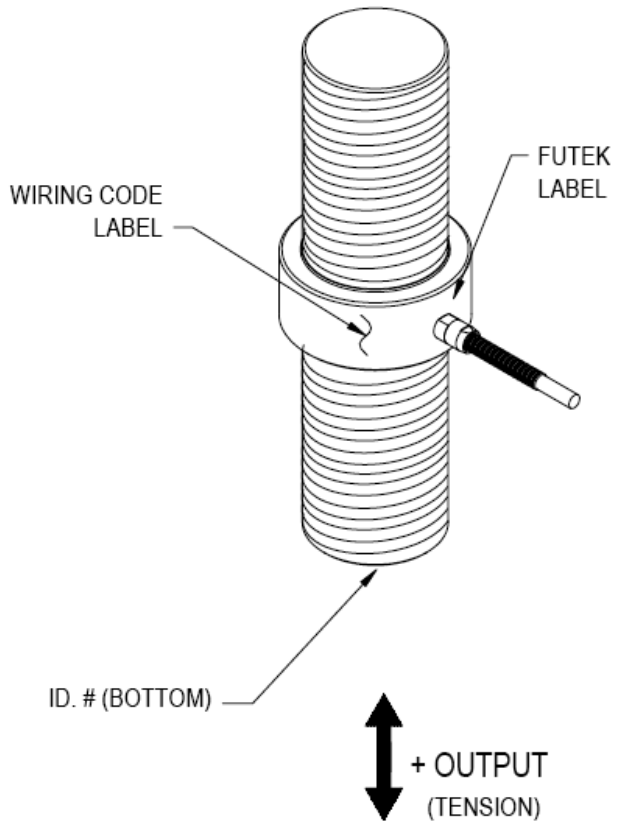
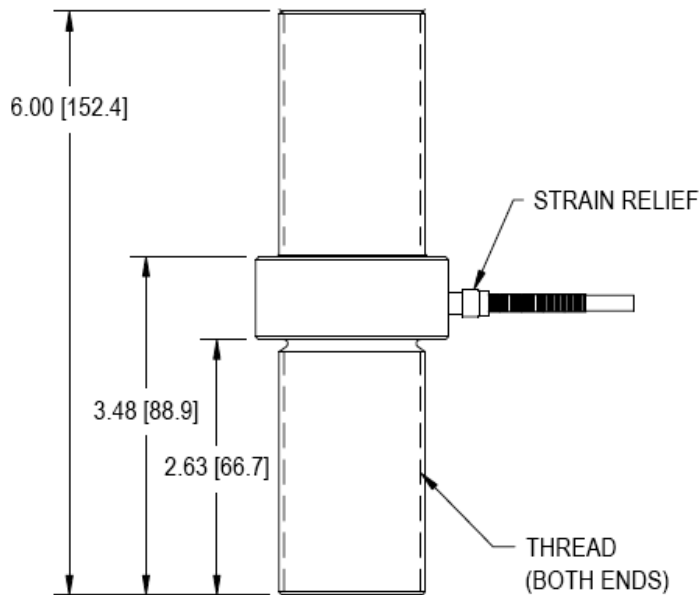
INCH [mm] | R.O.= Rated Output

WIRING CODE (WC1)

+Excitation	-Excitation	+Signal	-Signal
RED	BLACK	GREEN	WHITE



\* COVER DIAMETER WAS INCREASED FROM Ø 1.6 [40.9]



## SPECIFICATIONS:

RATED OUTPUT	2 mV/V nom.
SAFE OVERLOAD	150% of R.O.
ZERO BALANCE	±1% of R.O.
EXCITATION (VDC OR VAC)	18 MAX
BRIDGE RESISTANCE	350 Ω nom.
NONLINEARITY	±0.2% of R.O.
HYSTERESIS	±0.2% of R.O.
NONREPEATABILITY	±0.1% of R.O.
TEMP. SHIFT ZERO	±0.005% of R.O./°F [0.01% of R.O./°C]
TEMP. SHIFT SPAN	±0.005% of LOAD/°F [0.01% of LOAD/°C]
COMPENSATED TEMP.	60 to 160°F [15 to 72°C]
OPERATING TEMP.	-45 to 200°F [-42 to 93°C]
MATERIAL	17-4PH S.S.
WEIGHT	3.1 lb [1.4 kg]
DEFLECTION	0.001 [0.03] nom.
CABLE: #24 Awg 4 Cond. Braided Shielded PVC Cable 10 ft [3 m] Long	
ACCESORIES AND RELATED INSTRUMENTS AVAILABLE	
CALIBRATION (STD)	5 pt. TENSION; 60.4KΩ SHUNT CAL. VALUE
CALIBRATION (AVAILABLE)	COMPRESSION
CALIBRATION TEST EXCITATION	10 VDC

FOR LOWER CAPACITIES REFER TO LCM300

STK#	CAPACITIES		THREAD
	lb	N	
FSH02295	50000	222400	1 1/2-12-A
FSH02296			M36 x 4

系泰機電有限公司

Tel : (04)2706-9659  
Fax: (04)2452-0110

[www.accusystem.com](http://www.accusystem.com)  
E-mail: [sales@accusystem.com](mailto:sales@accusystem.com)