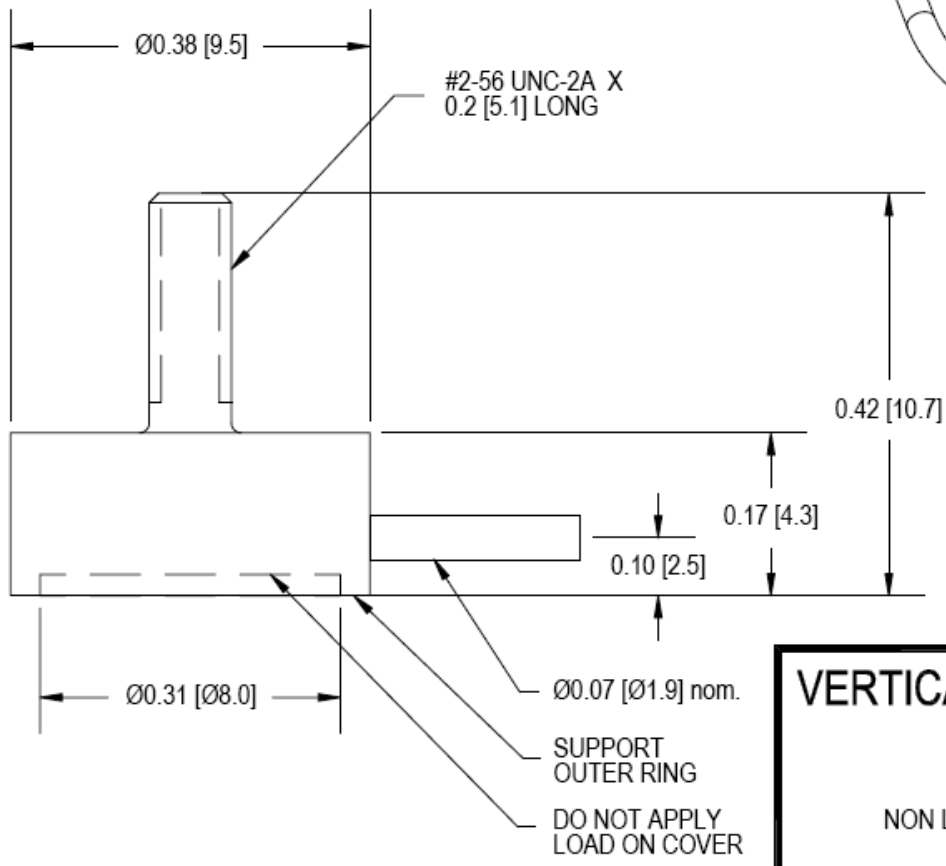
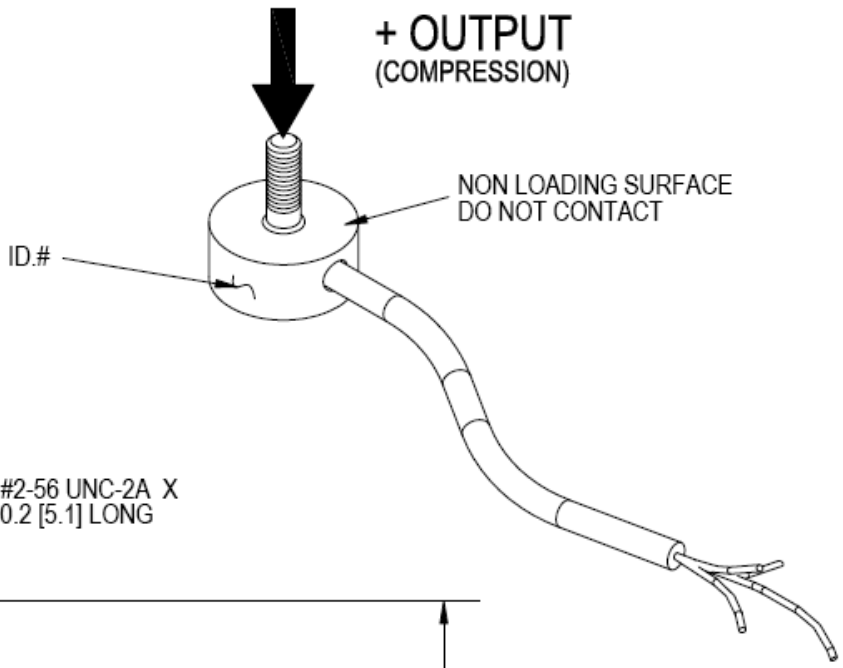


# FUTEK MODEL LLB210 (L1613/L1614) SUBMINIATURE THREADED LOAD BUTTON LOAD CELL

**Drawing Number: FI1052**

INCH [mm]		R.O.= Rated Output	
WIRING CODE (WC1)			
+Excitation	-Excitation	+Signal	-Signal
RED	BLACK	GREEN	WHITE



STK #	CAPACITIES		VERTICAL CABLE EXIT	RATED OUTPUT
	lb	N		
FSH01016	10	44.5		1 mV/V
FSH01032			X	
FSH01017	25	111		2 mV/V
FSH01033			X	
FSH01018	50	222		
FSH01034			X	

**SPECIFICATIONS:**

SAFE OVERLOAD	150% of R.O.
ZERO BALANCE	±3% R.O.
EXCITATION (VDC OR VAC)	7 MAX
BRIDGE RESISTANCE	350 Ω nom.
NONLINEARITY	±0.5% of R.O. } IMPROVED ACCURACY
HYSTERESIS	±0.5% of R.O. } AVAILABLE CONTACT
NONREPEATABILITY	±0.1% of R.O. } FACTORY
TEMP. SHIFT ZERO	±0.01% of R.O./°F [0.018% of R.O./°C]
TEMP. SHIFT SPAN	±0.02% of LOAD/°F [0.036% of LOAD/°C]
COMPENSATED TEMP. OPERATING TEMP.	60 to 160°F [15 to 72°C]
	-60 to 200°F [-50 to 93°C]
WEIGHT	1 oz [28 g]
MATERIAL	17-4PH S.S.
DEFLECTION	0.002 [0.05] nom.
CABLE: #29 AWG, 4 Conductor, Spiral Shielded Teflon Cable 10 ft [3 m] Long	
ACCESSORIES AND RELATED INSTRUMENTS AVAILABLE	
CALIBRATION (STD)	5 pt. COMPRESSION; 60.4 KΩ SHUNT CAL. VALUE
CALIBRATION TEST EXCITATION	5 VDC

**VERTICAL CABLE EXIT OPTION**

