

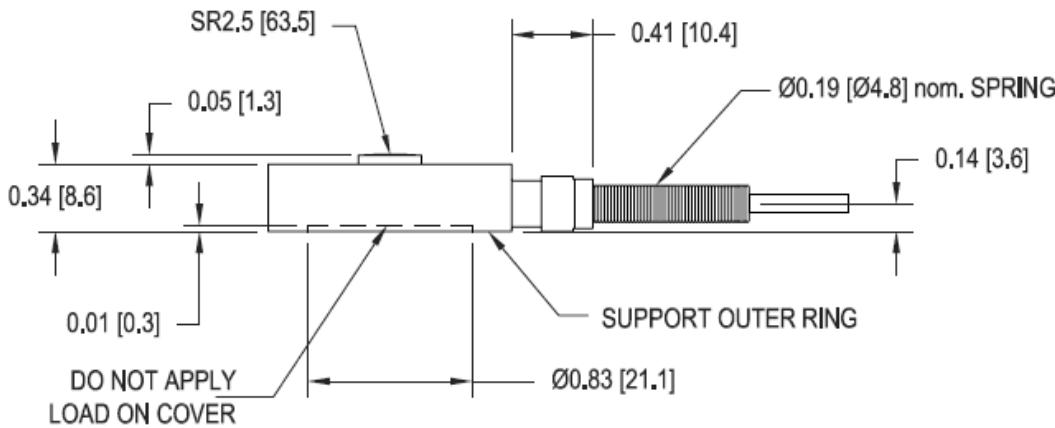
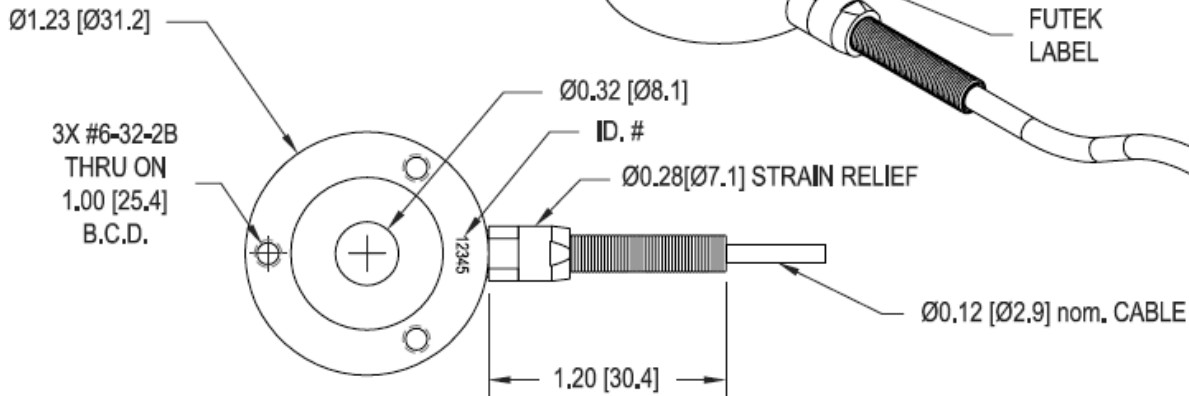
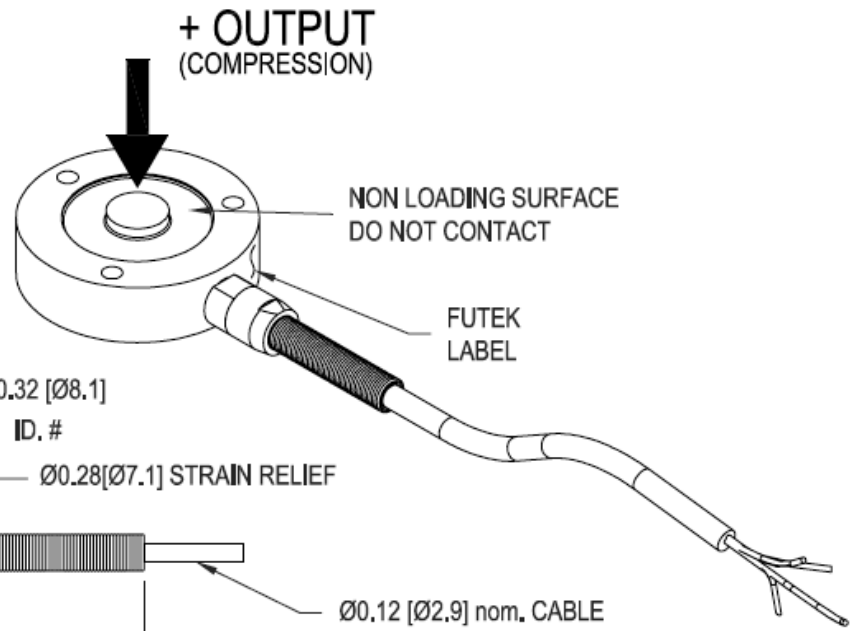
# FUTEK MODEL LLB400 (L16020) MINIATURE LOAD BUTTON W/ MOUNTING HOLES

Drawing Number: FI1055-B

INCH [mm] | R.O.= Rated Output

WIRING CODE (WC1)

+Excitation	-Excitation	+Signal	-Signal
RED	BLACK	GREEN	WHITE
Shield			
FLOATING			



## SPECIFICATIONS:

RATED OUTPUT	2 mV/V nom. (100 to 1000 lb) 3 mV/V nom. (2000 to 2500 lb)
SAFE OVERLOAD	150% of R.O.
ZERO BALANCE	±3% of R.O.
EXCITATION (VDC OR VAC)	18 MAX
BRIDGE RESISTANCE	700 Ω nom.
NONLINEARITY	±0.5% of R.O. } IMPROVED ACCURACY
HYSTERESIS	±0.5% of R.O. } AVAILABLE CONTACT
NONREPEATABILITY	±0.1% of R.O. } FACTORY
TEMP. SHIFT ZERO	±0.01% of R.O./°F [0.018% of R.O./°C]
TEMP. SHIFT SPAN	±0.02% of LOAD/°F [0.036% of LOAD/°C]
COMPENSATED TEMP.	60 to 160°F [15 to 72°C]
OPERATING TEMP.	-60 to 200°F [-50 to 93°C]
DEFLECTION	0.0009 [0.02] to 0.0015 [0.04] nom.
MATERIAL	17-4PH S.S.
CABLE: #26 AWG, 4 Conductor, Braided Shielded Teflon Cable 10 ft [3m] Long	
ACCESSORIES AND RELATED INSTRUMENTS AVAILABLE	
CALIBRATION (STD)	5 pt. COMPRESSION; 100KΩ, 87.325KΩ (2-2.5K lb) SHUNT CAL. VALUE
CALIBRATION TEST EXCITATION	10 VDC

STK #	CAPACITIES	
	lb	N
FSH00873	100	445
FSH00874	250	1112
FSH00875	500	2224
FSH00877	1000	4448
FSH00878	2000	8896
FSH00879	2500	11120

系泰機電有限公司

Tel : (04)2706-9659  
Fax: (04)2452-0110

[www.accusystech.com](http://www.accusystech.com)

E-mail: [sales@accusystech.com](mailto:sales@accusystech.com)