

FUTEK MODEL LLW200
 STK# FSH01595

FORCE WASHER LOAD CELL

(Previously L2720)

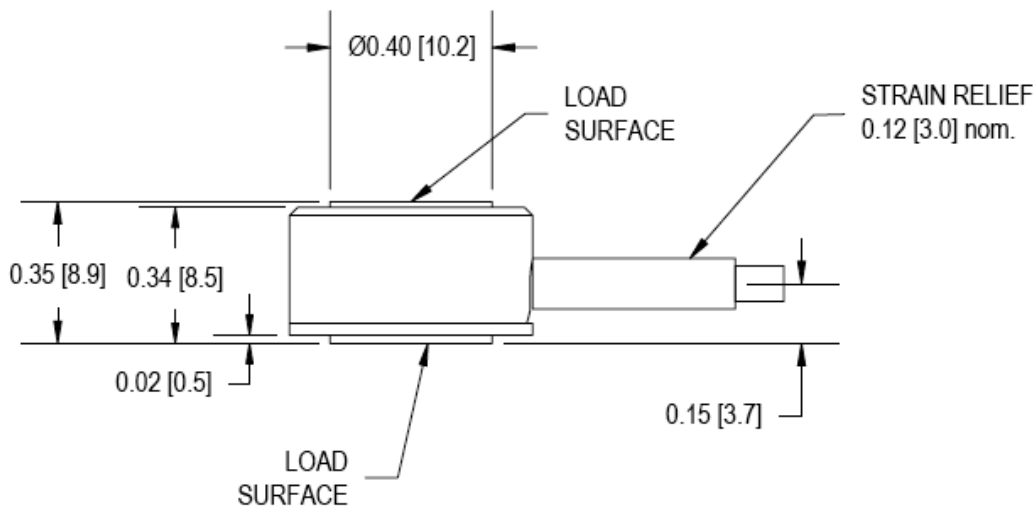
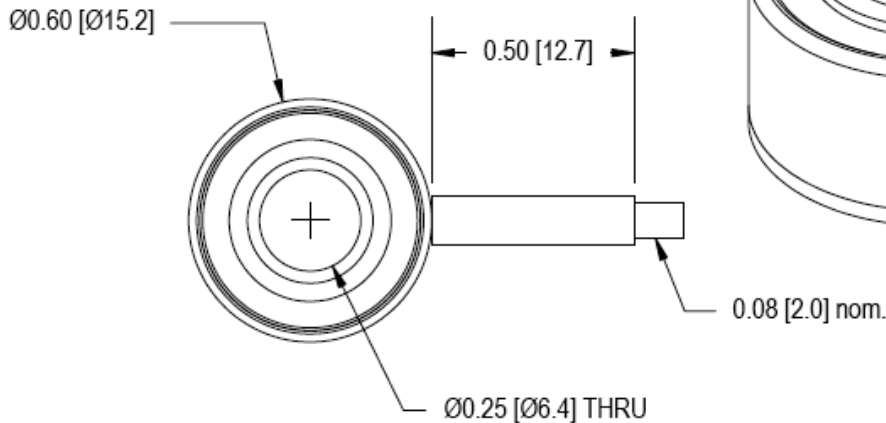
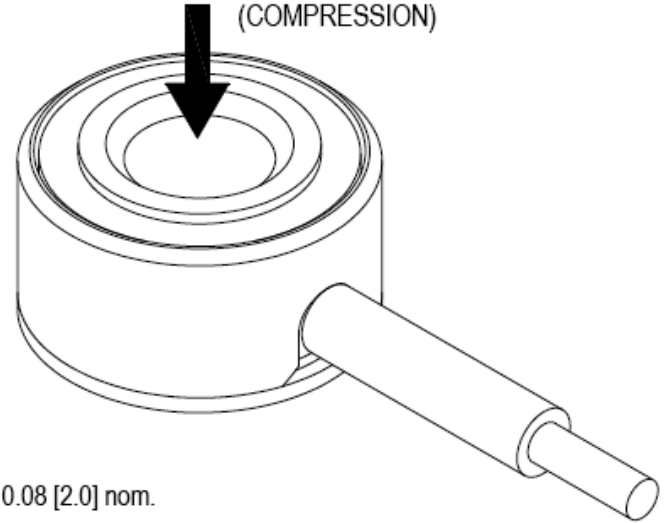
Drawing Number: FI1128

INCH [mm] R.O.= Rated Output

WIRING CODE (WC1)

+Excitation	-Excitation	+Signal	-Signal
RED	BLACK	GREEN	WHITE

+ OUTPUT
(COMPRESSION)



SPECIFICATIONS:

RATED OUTPUT	2 mV/V nom.
CAPACITY $\frac{lb}{Kg}$	2000 907
SAFE OVERLOAD	150% of R.O.
ZERO BALANCE	±15% of R.O.
EXCITATION (VDC OR VAC)	18 MAX
BRIDGE RESISTANCE	350 Ω nom.
TEMP. SHIFT ZERO	±0.02% of R.O./ °F [0.036% of R.O./ °C]
TEMP. SHIFT SPAN	±0.02% of LOAD/ °F [0.036% of LOAD/ °C]
COMPENSATED TEMP.	60 to 160 °F [15 to 72 °C]
OPERATING TEMP.	-60 to 200 °F [-50 to 93 °C]
WEIGHT	1 oz [30 g]
MATERIAL	17-4 PH STAINLESS STEEL
CABLE: #29 AWG, 4 Conductor, Spiral Shielded Teflon Cable 10 ft [3 m] Long	
ACCESSORIES AND RELATED INSTRUMENTS AVAILABLE	
CALIBRATION (STD)	5 pt. COMPRESSION; 60.4K Ω SHUNT CAL VALUE.
CALIBRATION TEST EXCITATION	10 VDC

系泰機電有限公司

Tel : (04)2706-9659
 Fax: (04)2452-0110

www.accusystech.com
 E-mail: sales@accusystech.com