

FUTEK MODEL LMD500  
STK# FSH00127

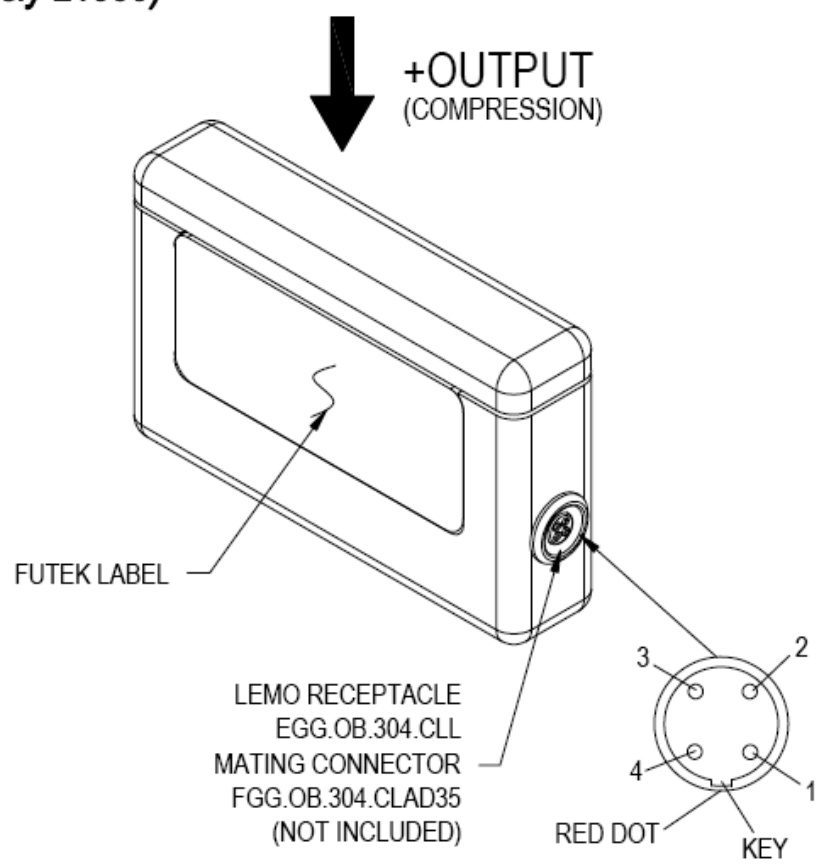
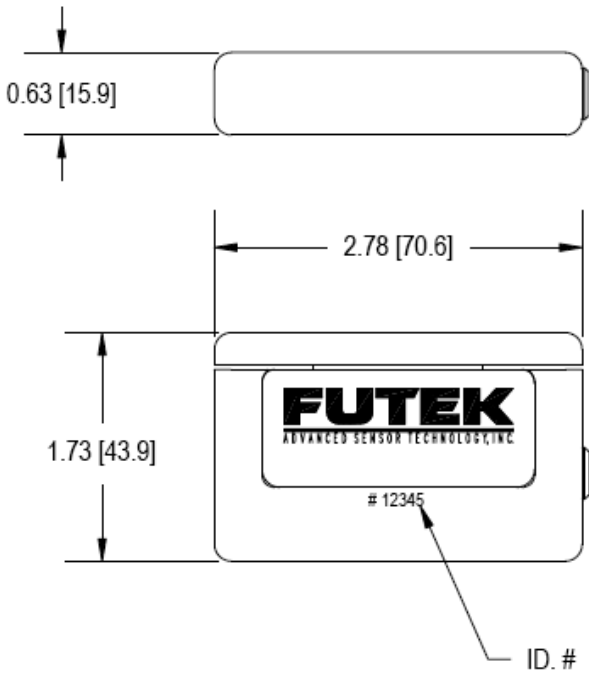
# HAND GRIPPER

(Previously L1000)

Drawing Number: FI1118

INCH (mm) | R.O. = Rated Output

WIRING CODE (CC4)			
+Excitation	-Excitation	+Signal	-Signal
1	4	2	3



Cable Option - STK# FSH00125  
#29 AWG, 4 Conductor, Spiral Shielded Teflon Cable, 10 ft (3 m)

WIRING CODE (WC1)			
+Excitation	-Excitation	+Signal	-Signal
RED	BLACK	GREEN	WHITE

**SPECIFICATIONS:**

<b>RATED OUTPUT</b>	2 mV/V nom.
<b>CAPACITY</b> lb	300
N	1334
<b>SAFE OVERLOAD</b>	150% of R.O.
<b>ZERO BALANCE</b>	±3% of R.O.
<b>EXCITATION (VDC OR VAC)</b>	18 MAX
<b>BRIDGE RESISTANCE</b>	350 Ω nom.
<b>NONLINEARITY</b>	±0.25% of R.O.
<b>HYSTERESIS</b>	±0.25% of R.O.
<b>TEMP. SHIFT ZERO</b>	±0.02% of R.O./°F [0.036% of R.O./°C]
<b>TEMP. SHIFT SPAN</b>	±0.02% of LOAD/°F [0.036% of LOAD/°C]
<b>COMPENSATED TEMP.</b>	60 to 160°F [15 to 72°C]
<b>OPERATING TEMP.</b>	-60 to 200°F [-50 to 93°C]
<b>WEIGHT</b>	3.6 oz [102 g]
<b>MATERIAL</b>	ALUMINUM
<b>DEFLECTION</b>	0.002 [0.05] nom.
<b>CONNECTOR: 4 PIN LEMO RECEPTACLE (EGG.OB.304.CLL)</b>	
<b>ACCESSORIES AND RELATED INSTRUMENTS AVAILABLE</b>	
<b>CALIBRATION (STD)</b>	2 pt. COMPRESSION; 60.4K Ω SHUNT CAL. VALUE
<b>CALIBRATION TEST EXCITATION</b>	10 VDC

系泰機電有限公司

Tel : (04)2706-9659  
Fax: (04)2452-0110

[www.accusystech.com](http://www.accusystech.com)  
E-mail: [sales@accusystech.com](mailto:sales@accusystech.com)