

# FUTEK MODEL LSB200 (L2357)

# S-BEAM JUNIOR LOAD CELL

DESIGNED FOR INLINE LOADING IN TENSION & COMPRESSION  
AVAILABLE IN #4-40 AND M3x0.5 METRIC THREADS

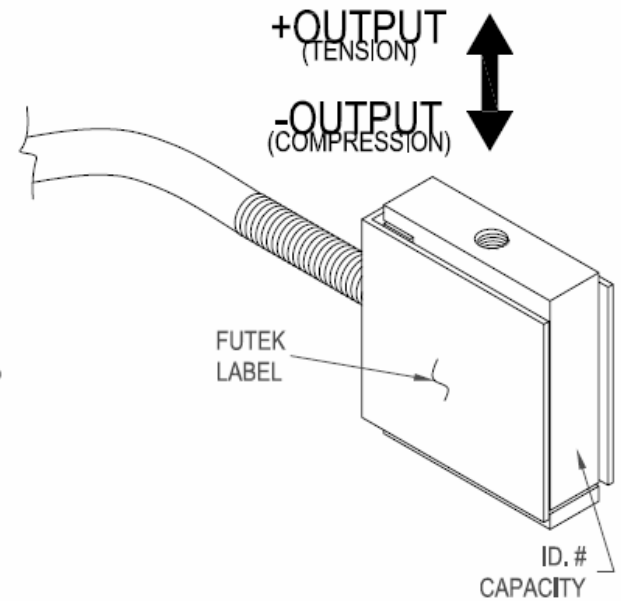
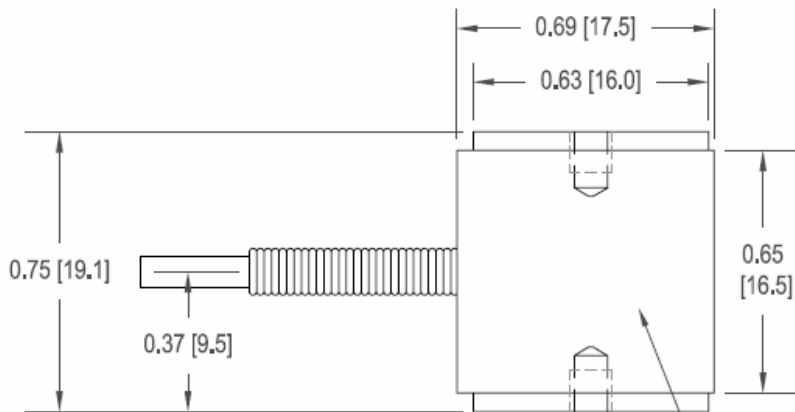
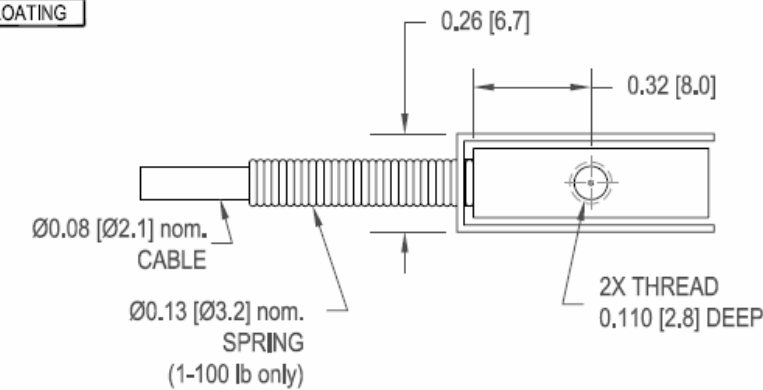
Drawing Number: FI1041-C

INCH [mm] R.O.= Rated Output

WIRING CODE (WC1)

+Excitation	-Excitation	+Signal	-Signal
RED	BLACK	GREEN	WHITE

Shield
FLOATING



## SPECIFICATIONS:

<b>RATED OUTPUT</b>	SEE CHART
<b>SAFE OVERLOAD</b>	1000% of R.O.
<b>ZERO BALANCE**</b>	200% of R.O. Tension Only (50-100 lb)*
<b>EXCITATION (VDC OR VAC)</b>	±3% of R.O., ±5% of R.O. (10-20g)
<b>BRIDGE RESISTANCE</b>	10 Max
<b>NONLINEARITY</b>	SEE CHART
<b>HYSTERESIS</b>	±0.1% of R.O.
<b>NONREPEATABILITY</b>	±0.1% of R.O.
<b>TEMP. SHIFT ZERO</b>	±0.05% of R.O.
<b>TEMP. SHIFT SPAN</b>	±0.01% of R.O./°F [0.018% of R.O./°C]
<b>COMPENSATED TEMP.</b>	±0.02% of LOAD/°F [0.036% of LOAD/°C]
<b>OPERATING TEMP.</b>	60 to 160°F [15 to 72°C]
<b>MATERIAL</b>	-60 to 200°F [-50 to 93°C]
<b>WEIGHT</b>	ALUMINUM (10g-10lb), STAINLESS STEEL (25-100lb)
<b>DEFLECTION</b>	0.3 oz [9 g]
<b>CABLE:</b>	0.003-0.005 [0.07-0.13]
<b>ACCESSORIES AND RELATED INSTRUMENTS AVAILABLE</b>	CABLE: #29 AWG, 4 Conductor, Spiral Shielded Silicone Cable, 5 ft [1.5 m] Long
<b>CALIBRATION (STD)</b>	5 pt TENSION; SEE CHART FOR SHUNT CAL. VALUE.
<b>CALIBRATION (AVAILABLE)</b>	COMPRESSION
<b>CALIBRATION TEST EXCITATION</b>	5 VDC
*SENSOR STRUCTURE CAN HANDLE HIGH OVERLOADS BUT #4-40 and M3x0.5 THREADS MAY LIMIT OVERLOAD AT HIGHER CAPACITY	
** ZERO BALANCE IS BASED ON LAYING SENSOR ON ITS SIDE (THREADS HORIZONTAL)	

Stock #	Capacity lb (N)	Thread Size	R.O. (nom.)	BRIDGE RESISTANCE	SHUNT CAL. VALUE
FSH02534	10g	#4-40	0.5 mV/V	1000 Ω nom.	301K Ω
FSH02319	(0.1)	M3x0.5			
FSH02666	20g	#4-40			
FSH02667	(0.2)	M3x0.5			
FSH02535	50g	#4-40			
FSH02663	(0.5)	M3x0.5			
FSH02536	100g	#4-40	1 mV/V	1000 Ω nom.	150K Ω
FSH02664	(1.0)	M3x0.5			
FSH02602	250g	#4-40			
FSH02665	(2.5)	M3x0.5			
FSH00091	1	#4-40			
FSH00101	(4.5)	M3x0.5			
FSH00092	2	#4-40	2 mV/V	350 Ω nom.	60.4K Ω
FSH00102	(8.9)	M3x0.5			
FSH00093	5	#4-40			
FSH00103	(22.2)	M3x0.5			
FSH00095	10	#4-40			
FSH00104	(44.5)	M3x0.5			
FSH00096	25	#4-40			
FSH00105	(111)	M3x0.5			
FSH00097	50	#4-40			
FSH00106	(222)	M3x0.5			
FSH00098	100	#4-40			
FSH00107	(445)	M3x0.5			

系泰機電有限公司

Tel : (04)2706-9659  
Fax: (04)2452-0110

[www.accusystem.com](http://www.accusystem.com)

E-mail: [sales@accusystem.com](mailto:sales@accusystem.com)