

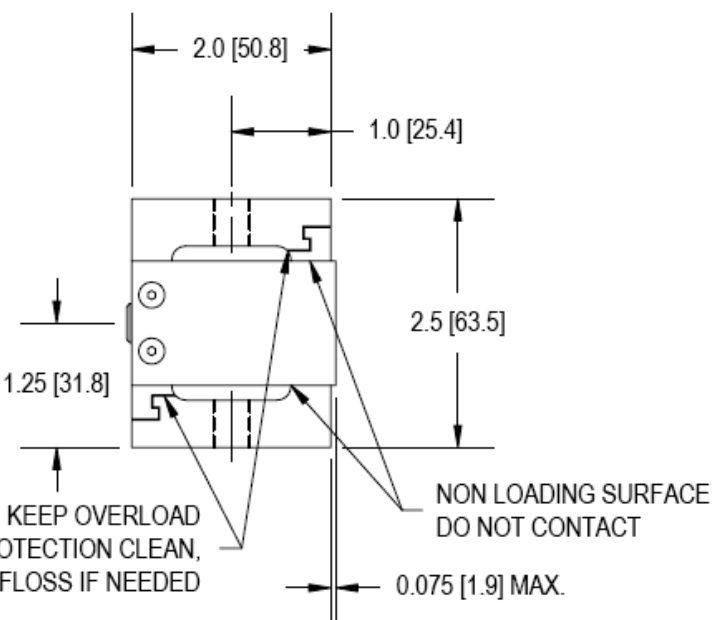
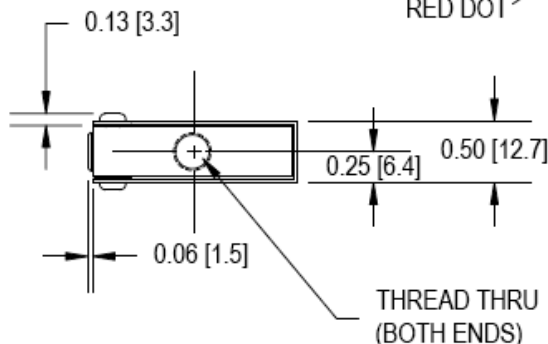
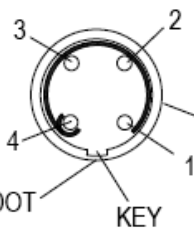
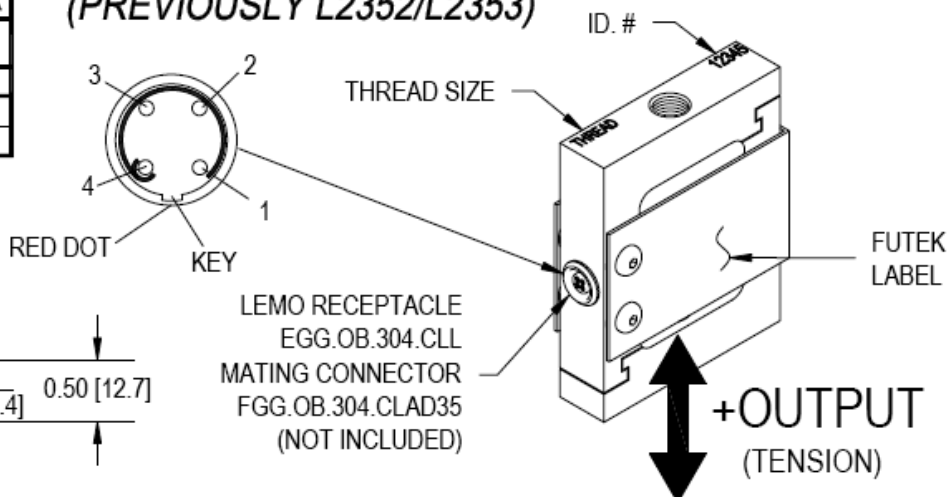
FUTEK MODEL LSB302

Drawing Number: FI1075-A

INCH [mm] | R.O.= Rated Output

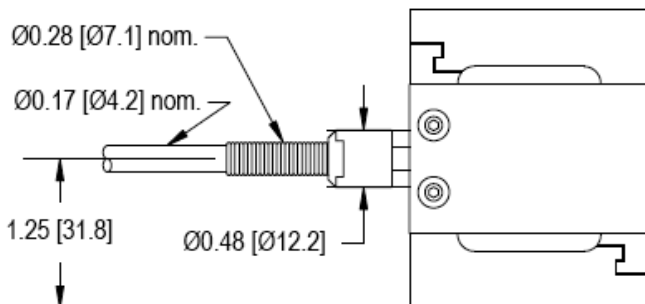
WIRING CODE (CC4)			
+Excitation	-Excitation	+Signal	-Signal
1	4	2	3

S-BEAM w/ OVERLOAD PROTECTION IN TENSION AND COMPRESSION (PREVIOUSLY L2352/L2353)



#28 AWG, 6 Conductor Polyurethane Cable (5ft) Option

WIRING CODE (WC4)			
+Excitation	-Excitation	+Signal	-Signal
RED	BLACK	GREEN	WHITE
+Sense	-Sense	Shield	
ORANGE	BLUE	Grounded	



RETRACTIL PVC CABLE AVAILABLE, CONTACT FACTORY

SPECIFICATIONS:

RATED OUTPUT	2 mV/V nom.
SAFE OVERLOAD	1000% (25-100 LB), 500% (200-300 LB)
ZERO BALANCE	±1% of R.O.
EXCITATION (VDC OR VAC)	20 MAX
BRIDGE RESISTANCE	1000 Ω nom.
NONLINEARITY	±0.05% of R.O.
HYSTERESIS	±0.05% of R.O.
NONREPEATABILITY	±0.05% of R.O.
TEMP. SHIFT ZERO	±0.001% of R.O./°F [0.0018% of R.O./°C]
TEMP. SHIFT SPAN	±0.0008% of LOAD/°F [0.0014% of LOAD/°C]
COMPENSATED TEMP.	60 to 160°F [15 to 72°C]
OPERATING TEMP.	-60 to 200°F [-50 to 93°C]
WEIGHT	5 oz [142 g]
MATERIAL	ANODIZED ALUMINUM
DEFLECTION	0.010 [0.25] nom.
CONNECTOR: 4 Pin LEMO Receptacle (EGG.OB.304.CLL)	
ACCESSORIES AND RELATED INSTRUMENTS	
CALIBRATION (STD)	5 pt TENSION; 150K Ω SHUNT CAL. VALUE
CALIBRATION (AVAILABLE)	COMPRESSION
CALIBRATION TEST EXCITATION	10 VDC

STK#	CAPACITY lb	N	THREAD	CONNECTOR LEMO	CABLE
FSH01019	25	111	1/4-28	X	X
FSH02080			X	X	
FSH01020			M6 X 1	X	X
FSH02085	50	222	1/4-28	X	X
FSH01476			X	X	
FSH02081			M6 X 1	X	X
FSH01022	100	445	1/4-28	X	X
FSH02086			X	X	
FSH01023			M6 X 1	X	X
FSH02082	200	890	1/4-28	X	X
FSH01024			X	X	
FSH02087			M10 X 1.5	X	X
FSH01025	300	1334	1/4-28	X	X
FSH02083			X	X	
FSH01026			M10 X 1.5	X	X
FSH02088	300	1334	1/4-28	X	X
FSH01027			X	X	
FSH02084			M10 X 1.5	X	X
FSH01028					
FSH02089					

系泰機電有限公司

Tel : (04)2706-9659
Fax: (04)2452-0110

www.accusystem.com
E-mail: sales@accusystem.com