

FUTEK MODEL LSB600

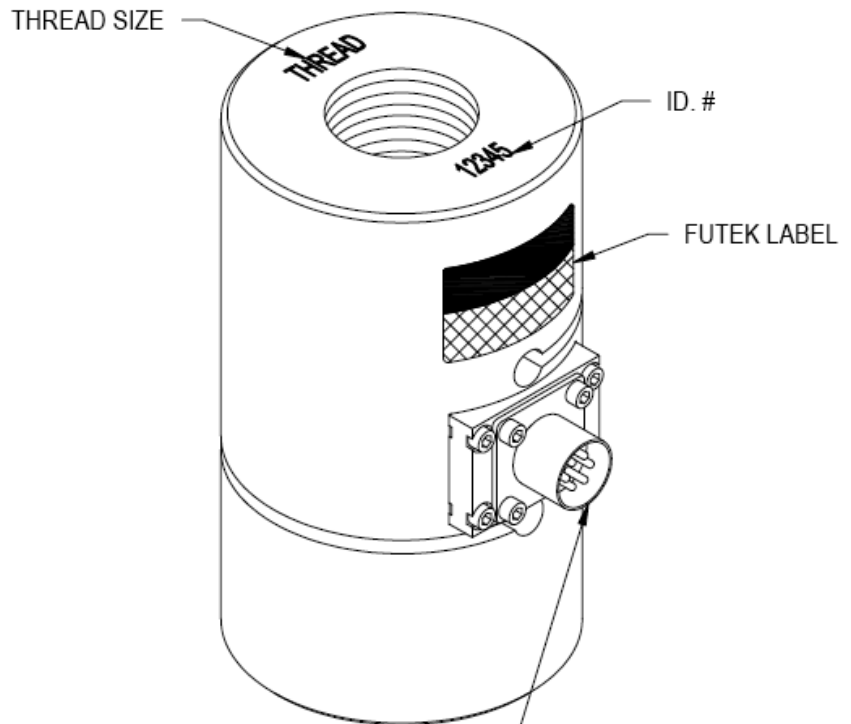
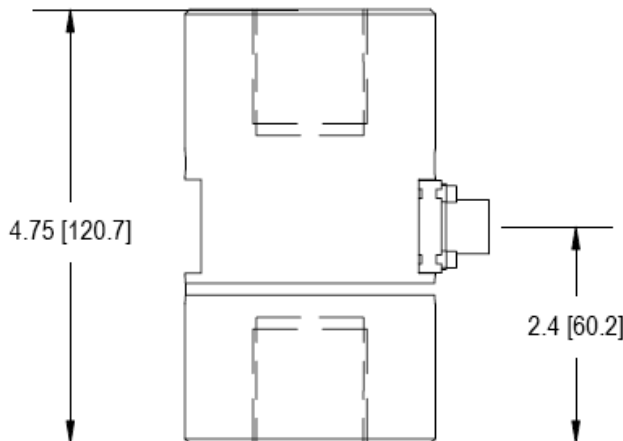
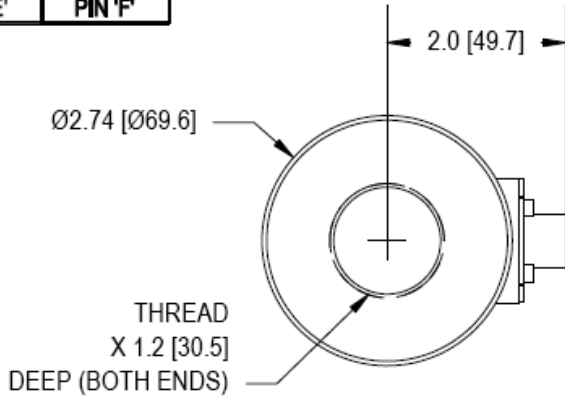
TENSION AND COMPRESSION CYLINDRICAL LOAD CELL (Previously L2355/L2356)

Drawing Number: F3654

INCH [mm] R.O.= Rated Output

WIRING CODE (CC1)

+Excitation	-Excitation	+Signal	-Signal
RED PIN 'A'	BLACK PIN 'B'	GREEN PIN 'C'	WHITE PIN 'D'
+Sense	-Sense		
ORANGE PIN 'E'	BLUE PIN 'F'		



+OUTPUT
(TENSION)

**BENDIX RECEPTACLE
PT02A-10-6P
MATING CONNECTOR
PT06A-10-6S-SR
(NOT INCLUDED)**

SPECIFICATIONS:

RATED OUTPUT	2 mV/V <i>nom.</i>
SAFE OVERLOAD	150% of R.O.
ZERO BALANCE	±1% of R.O.
EXCITATION (VDC OR VAC)	18 MAX
BRIDGE RESISTANCE	350 Ω <i>nom.</i>
NONLINEARITY	±0.1% of R.O.
HYSTERESIS	±0.1% of R.O.
NONREPEATABILITY	±0.05% of R.O.
CREEP	±0.05% of LOAD
TEMP. SHIFT ZERO	±0.005% of R.O./°F [0.01% of R.O./°C]
TEMP. SHIFT SPAN	±0.005% of LOAD/°F [0.01% of LOAD/°C]
COMPENSATED TEMP.	60 to 160°F [15 to 72°C]
OPERATING TEMP.	-60 to 200°F [-50 to 93°C]
WEIGHT	7 lb [3.2 Kg]
MATERIAL	17-4PH S.S.
DEFLECTION	0.005 [0.25] <i>nom.</i>

CONNECTOR: 6 Pin BENDIX Receptacle (PT02A-10-6P)
ACCESSORIES AND RELATED INSTRUMENTS AVAILABLE

CALIBRATION (STD) 5 pt TENSION; 60.4 KΩ. SHUT CAL. VALUE
CALIBRATION (AVAILABLE) COMPRESSION
CALIBRATION TEST EXCITATION 10 VDC

STK#	CAPACITIES		THREAD
	lb	N	
FSH00110	10000	44480	M36 X 3
FSH00108			1 1/4-12
FSH00111	25000	111200	M36 X 3
FSH00109			1 1/4-12

系泰機電有限公司

Tel : (04)2706-9659
Fax: (04)2452-0110

www.accusystech.com
E-mail: sales@accusystech.com