

FUTEK MODEL LSM350

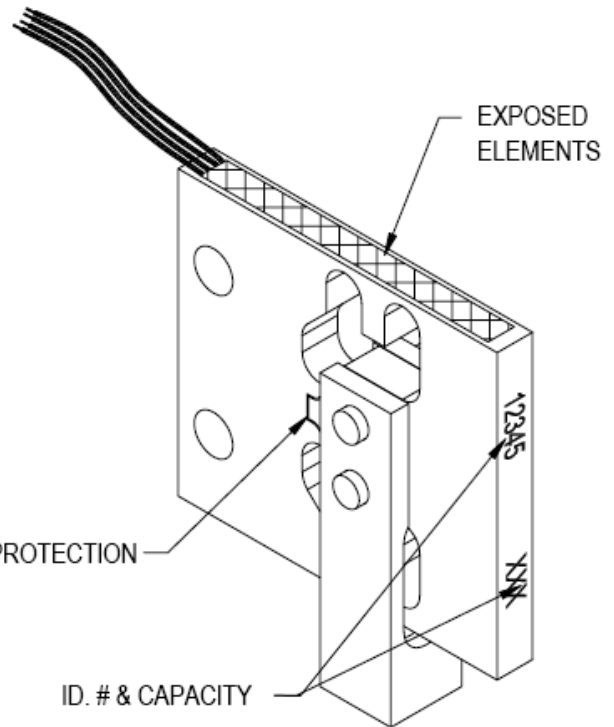
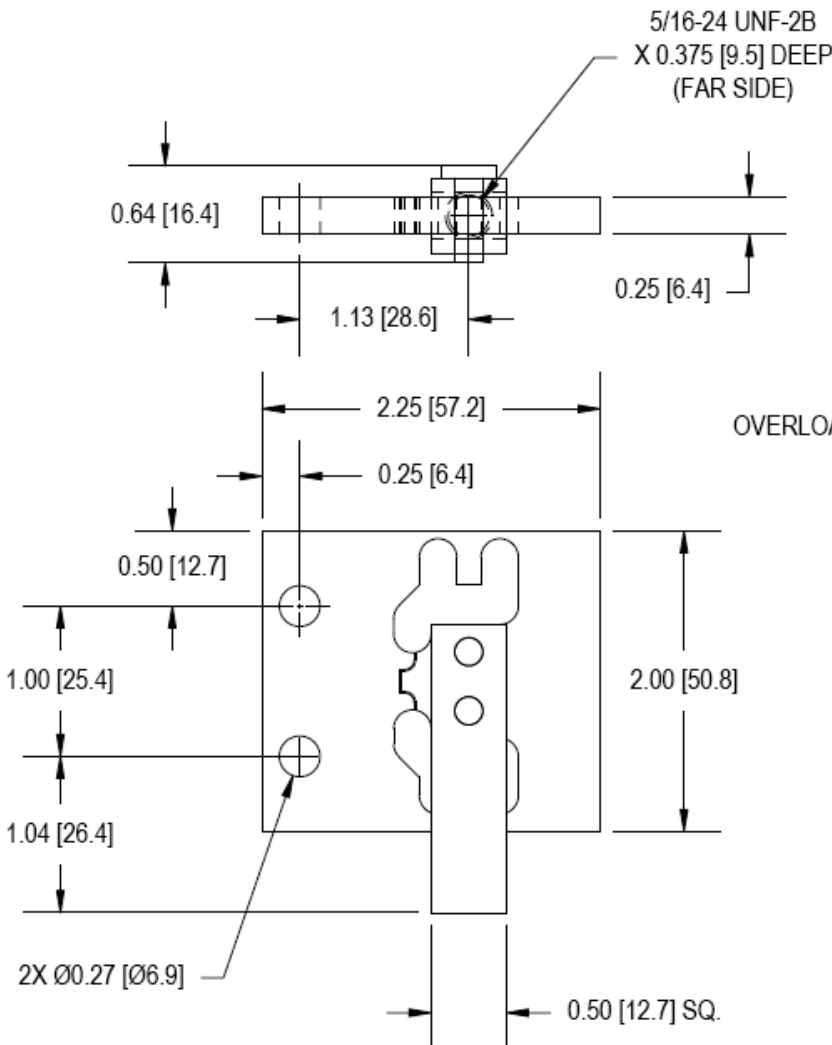
PARALLEL BEAM YOKED LOAD CELL W/ OVERLOAD PROTECTION (OEM) (Previously L2342)

Drawing Number: FI1127

INCH [mm] R.O.= Rated Output

WIRING CODE (WC2)

+Excitation	-Excitation	+Signal	-Signal
GREEN	BLACK	WHITE	RED



+ OUTPUT
(COMPRESSION)

SPECIFICATIONS:

RATED OUTPUT	1.5 mV/V nom.
SAFE OVERLOAD	750 lb
ZERO BALANCE	±2% of R.O.
EXCITATION (VDC OR VAC)	18 MAX
BRIDGE RESISTANCE	1000 Ω nom.
NONLINEARITY	±0.1% of R.O.
HYSTERESIS	±0.1% of R.O.
NONREPEATABILITY	±0.1% of R.O.
CREEP	±0.05% R.O.
TEMP. SHIFT ZERO	±0.015% of R.O./°F [0.03% of R.O./°C]
TEMP. SHIFT SPAN	±0.025% of LOAD/°F [0.04% of LOAD/°C]
COMPENSATED TEMP.	60 to 160°F [15 to 72°C]
OPERATING TEMP.	-60 to 200°F [-50 to 93°C]
WEIGHT	3.2 oz [90.7 g]
MATERIAL	ALUMINUM
DEFLECTION	0.006 to 0.011 [0.15 to 0.28] nom.
CABLE: #29 AWG, 4 Conductor, Spiral Teflon Cable 6 [152.4] Long	
ACCESSORIES AND RELATED INSTRUMENTS AVAILABLE	
CALIBRATION (STD)	2 pt. TENSION ; 200K Ω SHUNT CAL. VALUE
CALIBRATION (AVAILABLE)	2 pt. COMPRESSION AVAILABLE
CALIBRATION TEST EXCITATION	10 VDC

STK#	CAPACITIES	
	lb	N
FSH00986	2.2	9.8
FSH00987	10	44.5
FSH00988	50	222
FSH00989	100	445
FSH00990	200	890
FSH00991	500	2224

系泰機電有限公司

Tel : (04)2706-9659
Fax: (04)2452-0110

www.accusystem.com

E-mail: sales@accusystem.com