

FUTEK MODEL LTH350 (L2761)

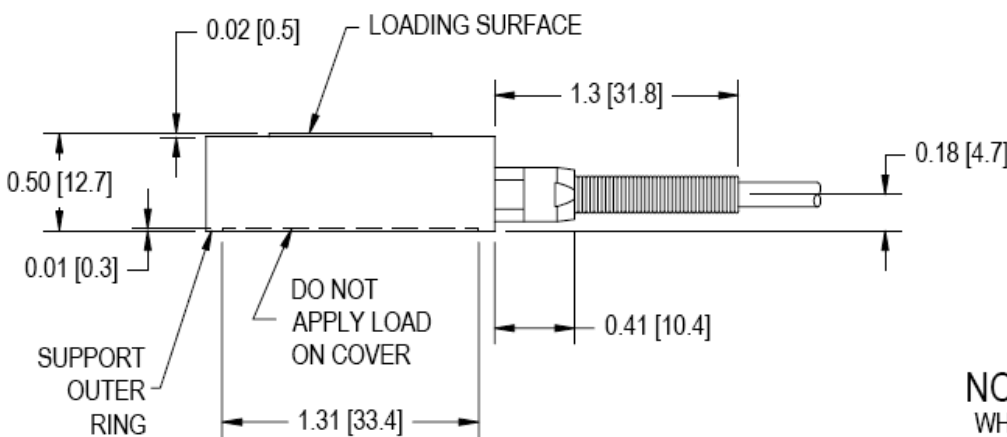
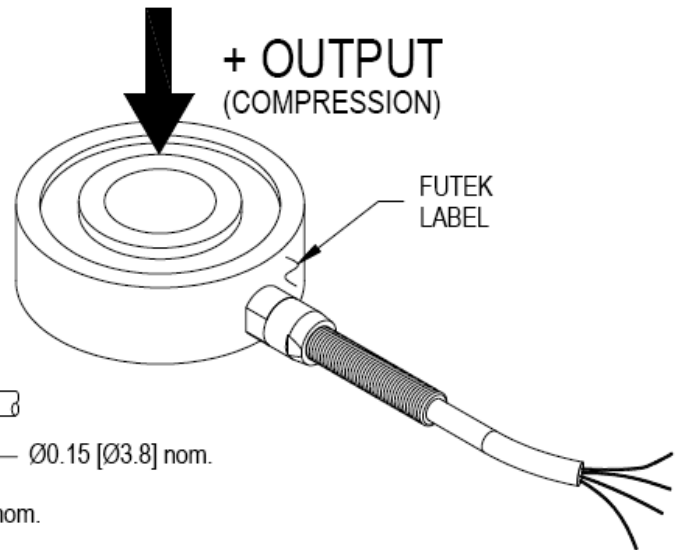
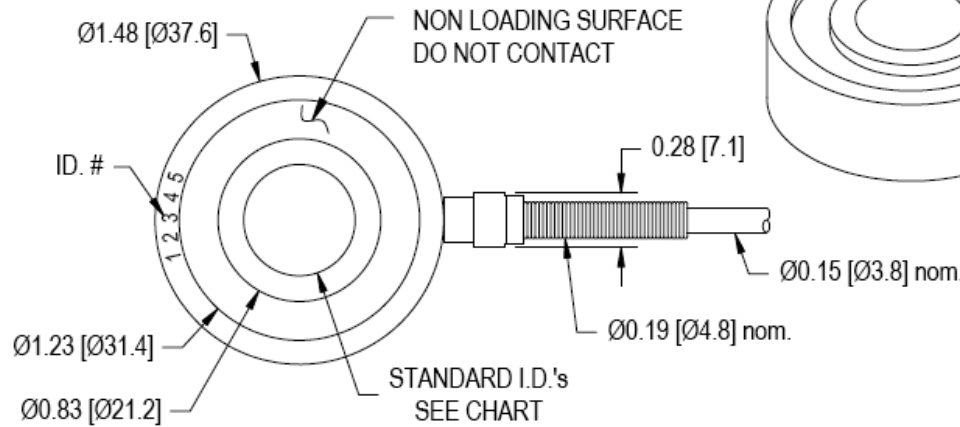
Drawing Number: FI1005

INCH [mm] R.O.= Rated Output

WIRING CODE (WC1)

+Excitation	-Excitation	+Signal	-Signal
RED	BLACK	GREEN	WHITE

DONUT / THRU HOLE LOAD CELL AVAILABLE WITH I.D.'S FROM 1/8 TO 5/8



ID	Inner Diameter DIMENSION
1/8	0.136/0.134 [3.45/3.40]
3/16	0.199/0.197 [5.06/5.01]
1/4	0.261/0.259 [6.63/6.58]
5/16	0.324/0.322 [8.23/8.18]
3/8	0.386/0.384 [9.80/9.75]
7/16	0.449/0.447 [11.40/11.35]
1/2	0.511/0.509 [12.98/12.93]
9/16	0.574/0.572 [14.58/14.53]
5/8	0.636/0.634 [16.15/16.10]

SPECIFICATIONS:

RATED OUTPUT	2 mV/V nom.
CAPACITY $\frac{lb}{N}$	100, 250, 500, 1000, 2000, 3000, 5000 445, 1112, 2224, 4445, 8896, 13344, 22240
SAFE OVERLOAD	150% of R.O.
ZERO BALANCE	±1% of R.O.
EXCITATION (VDC OR VAC)	18 MAX
BRIDGE RESISTANCE	700 Ω nom.
NONLINEARITY	±0.5% of R.O. } IMPROVED ACCURACY
HYSTERESIS	±0.5% of R.O. } AVAILABLE CONTACT
NONREPEATABILITY	±0.5% of R.O. } FACTORY
TEMP. SHIFT ZERO	±0.005% of R.O./°F [0.01% of R.O./°C]
TEMP. SHIFT SPAN	±0.005% of LOAD/°F [0.01% of LOAD/°C]
COMPENSATED TEMP.	60 to 160°F [15 to 72°C]
OPERATING TEMP.	-60 to 200°F [-50 to 93°C]
WEIGHT	3.5 oz [99 g]
MATERIAL	17-4PH S.S.
DEFLECTION	0.002 [0.05] nom.
CABLE: #24 AWG, 4 Conductor, Spiral Shielded Teflon Cable 10 ft [3 m] Long	
ACCESSORIES AND RELATED INSTRUMENTS AVAILABLE	
CALIBRATION (STD)	5 pt. COMPRESSION; 100K Ω SHUNT CAL. VALUE
CALIBRATION TEST EXCITATION	10 VDC

NOTE:

WHILE TORQUING BOLTS, HIGH TENSION FORCES WILL OCCUR DURING INSTALLATION, WHICH COULD RESULT IN OVERLOADING THE SENSOR. FUTEK RECOMMENDS CONNECTING SENSOR TO A SYSTEM IN ORDER TO MONITOR THE APPLIED FORCES. FUTEK IS NOT LIABLE OR RESPONSIBLE FOR THE MISHANDLING OF THE SENSOR DURING INSTALLATION.

系泰機電有限公司

Tel : (04)2706-9659
Fax: (04)2452-0110

www.accusystem.com

E-mail: sales@accusystem.com