

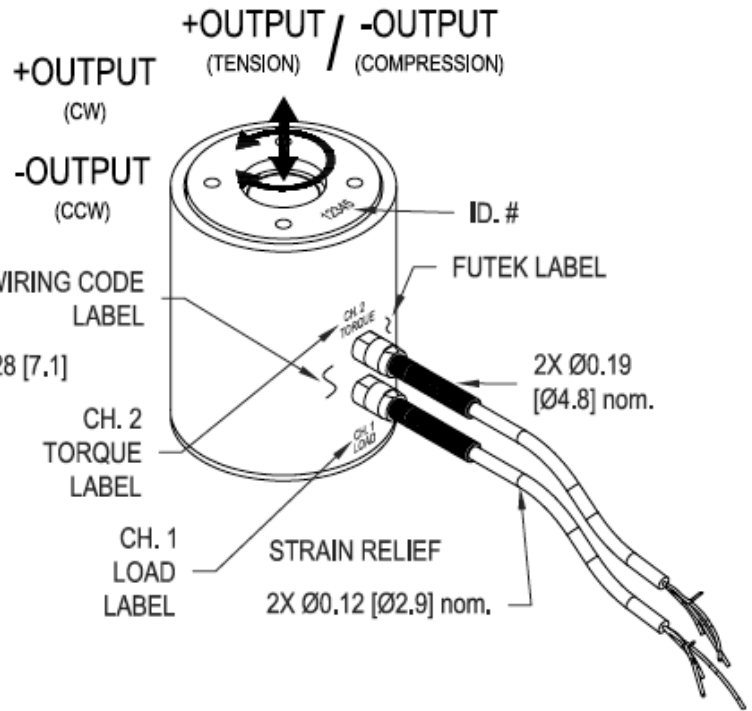
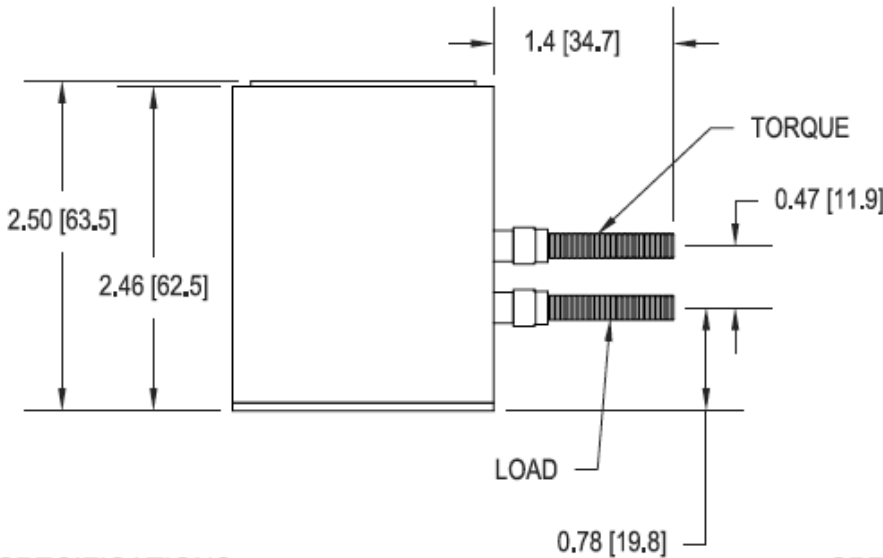
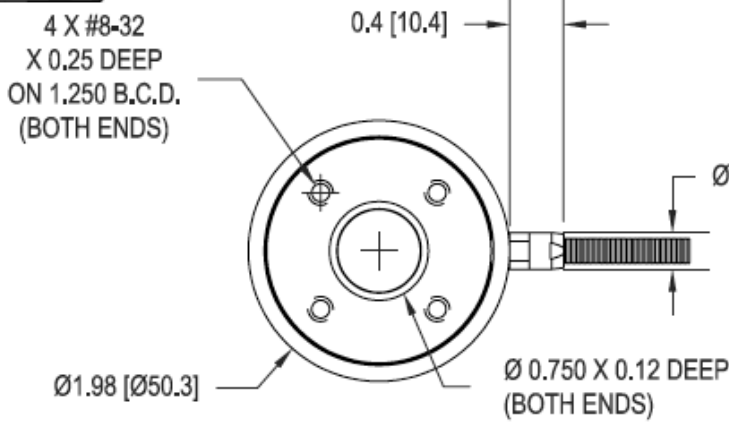
# FUTEK MODEL MBA500

# TORQUE AND THRUST BI-AXIAL SENSOR (Previously T5105)

Drawing Number: FI1193-A

INCH [mm] | R.O.= Rated Output

WIRING CODE (WC1)			
+Excitation	-Excitation	+Signal	-Signal
RED	BLACK	GREEN	WHITE
Shield			
FLOATING			



STK #	LOAD CAPACITY		TORQUE CAPACITY	
	lb	N	in-lb	Nm
FSH00743	50	222	50	5.65
FSH00744	50	222	100	11.3
FSH00745	50	222	150	17
FSH00746	100	444	50	5.65
FSH00747	100	444	100	11.3
FSH00748	100	444	150	17
FSH00749	150	667	50	5.65
FSH00750	150	667	100	11.3
FSH00751	150	667	150	17
FSH00752	200	890	200	23

OTHER CAPACITIES AVAILABLE

## SPECIFICATIONS:

### THRUST

RATED OUTPUT	2 mV/V nom. (50 to 150 lb) 3 mV/V nom. (200 lb)
SAFE OVERLOAD	150% of R.O. (50 to 150 lb) 125% (200 lb)
ZERO BALANCE	±3% of R.O.
EXCITATION (VDC OR VAC)	18 MAX
BRIDGE RESISTANCE	350 Ω nom.
NONLINEARITY	±0.25% of R.O.
HYSTERESIS	±0.25% of R.O.
NONREPEATABILITY	±0.05% of R.O.
CALIBRATION (STD)	5 pt. COMPRESSION; 60.4KΩ (2mV/V), 36.5KΩ (3mV/V) SHUNT CAL. VALUE
CALIBRATION (OPT)	5 pt. TENSION; 10 VDC
CALIBRATION TEST EXCITATION	TEMP. SHIFT ZERO TEMP. SHIFT SPAN COMPENSATED TEMP. OPERATING TEMP. WEIGHT MATERIAL CABLE: #28 AWG, 4 Conductor, Braided Shielded PVC Cable, 10 ft [3 m] Long

## SPECIFICATIONS:

### TORQUE

RATED OUTPUT	2 mV/V nom. (50 to 150 in-lb) 3 mV/V nom. (200 in-lb)
SAFE OVERLOAD	150% of R.O. (50 to 150 in-lb) 125% (200 in-lb)
ZERO BALANCE	±3% of R.O.
EXCITATION (VDC OR VAC)	18 MAX
BRIDGE RESISTANCE	350 Ω nom.
NONLINEARITY	±0.25% of R.O.
HYSTERESIS	±0.25% of R.O.
NONREPEATABILITY	±0.05% of R.O.
CALIBRATION (STD)	5 pt. CW; 60.4KΩ (2mV/V), 36.5KΩ (3mV/V) SHUNT CAL. VALUE
CALIBRATION (OPT)	5 pt. CCW; 10 VDC
CALIBRATION TEST EXCITATION	±0.005% of R.O./°F [0.01% of R.O./°C] ±0.005% of LOAD/°F [0.01% of LOAD/°C] 60 to 160°F [15 to 72°C] -45 to 200°F [-42 to 93°C] 6.5 oz [184 g] ALUMINUM

ACCESSORIES AND RELATED INSTRUMENTS AVAILABLE

**FUTEK**  
ADVANCED SENSOR TECHNOLOGY, INC.

This drawing is submitted solely for the information and exclusive use of the original addressee. It is not to be divulged in whole or in part, by any firm or individual without written permission from FUTEK

10 THOMAS  
IRVINE, CA 92618 USA  
1-800-23-FUTEK (38835)