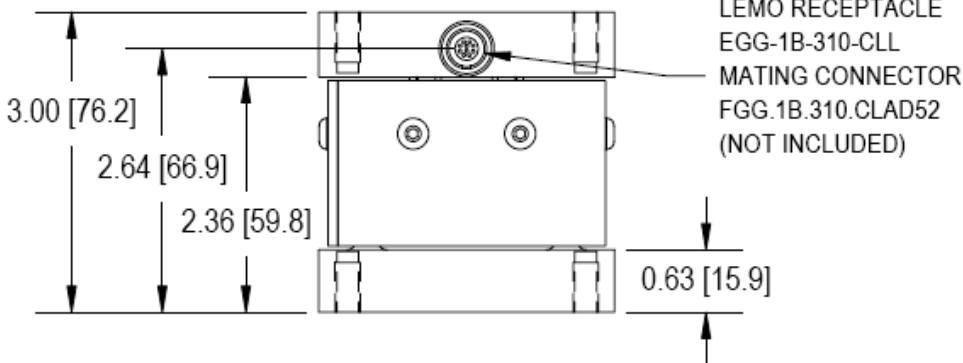
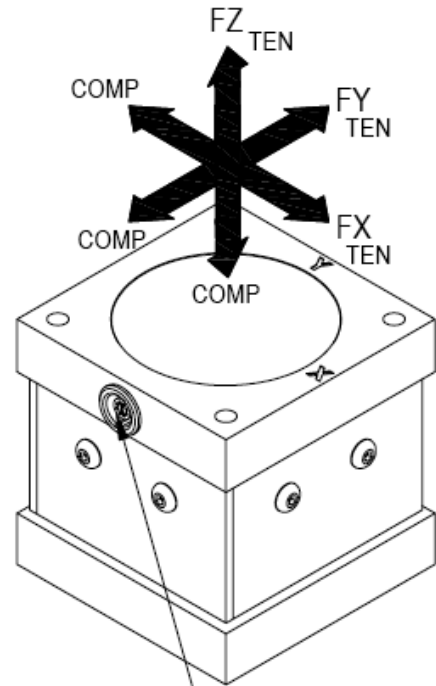
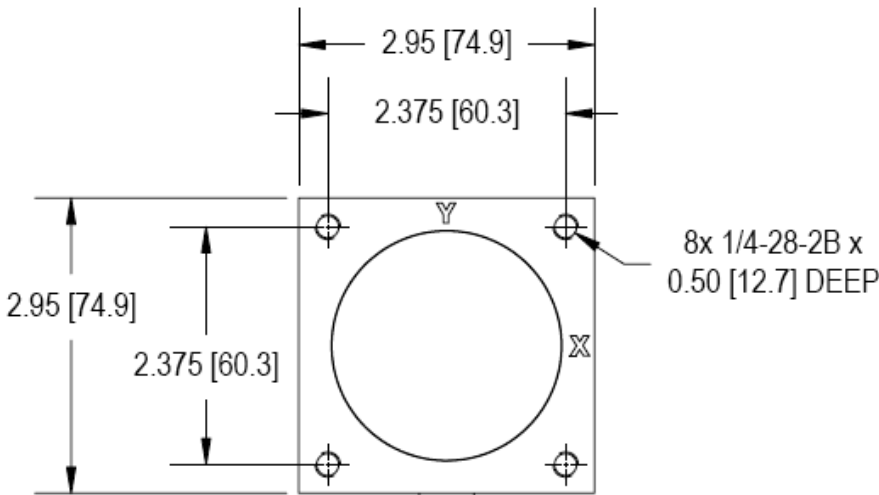


# FUTEK MODEL MTA400

# TRI AXIAL SENSOR

**Drawing Number: FI1009**

**INCH [mm] R.O.= Rated Output**



PIN #	CODE	CHANNEL
1	+E	FX, FY, FZ
2	-E	FX, FY, FZ
3	+S	FX
4	-S	FX
5	+S	FY
6	-S	FY
7	+S	FZ
8	-S	FZ

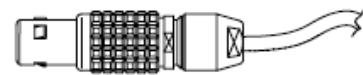
TEN=TENSION (+OUTPUT)  
COMP=COMPRESSION (-OUTPUT)

## SPECIFICATIONS:

RATED OUTPUT (FX, FY)	1.5 mV/V nom.
RATED OUTPUT (FZ)	0.75 mV/V nom.
CAPACITY (FX, FY)	250 lb
CAPACITY (FZ)	500 lb
SAFE OVERLOAD	150% of R.O.
ZERO BALANCE	±3% of R.O.
EXCITATION (VDC OR VAC)	18 MAX
BRIDGE RESISTANCE	700 Ω nom
NONLINEARITY	±0.25% of R.O.
HYSTERESIS	±0.25% of R.O.
NONREPEATABILITY	±0.1% of R.O.
TEMP. SHIFT ZERO	±0.01% of R.O./°F (0.018% of R.O./°C)
TEMP. SHIFT SPAN	±0.01% of LOAD/°F (0.018% of LOAD/°C)
COMPENSATED TEMP.	60 to 160°F (15 to 72°C)
OPERATING TEMP.	-60 to 200°F (-50 to 93°C)
WEIGHT	2 lb (907 g)
MATERIAL	Anodized Aluminum
CONNECTOR: 10 PIN LEMO RECEPTACLE EGG.1B.310.CLL	
ACCESSORIES AND RELATED INSTRUMENTS AVAILABLE	
CALIBRATION (STD)	5 pt. COMPRESSION; 150KΩ SHUNT CAL. VALUE
CALIBRATION (OPTIONAL)	5 pt. TENSION
CALIBRATION TEST EXCITATION	10 VDC

## CABLE ACCESSORIES

STK# FSH01848 10 PIN LEMO MATING W/ 10 FT POLY CABLE



COLOR	PIN #	CODE	CH
RED	1	+EXCITATION	Fx, Fy, Fz
BLACK	2	-EXCITATION	Fx, Fy, Fz
GREEN	3	+SIGNAL	Fx
WHITE	4	-SIGNAL	
BLUE	5	+SIGNAL	Fy
YELLOW	6	-SIGNAL	
VIOLET	7	+SIGNAL	Fz
ORANGE	8	-SIGNAL	

**FUTEK**  
ADVANCED SENSOR TECHNOLOGY, INC.

This drawing is submitted solely for the information and exclusive use of the original addressee. It is not to be divulged in whole or in part, by any firm or individual without written permission from FUTEK

CAGE CODE # 1X8M6

**10 THOMAS**  
**IRVINE, CA 92618 USA**  
**1-800-23-FUTEK (38835)**