

FUTEK MODEL TAT400

SOCKET EXTENSION REACTION TORQUE SENSOR (Previously T6010)

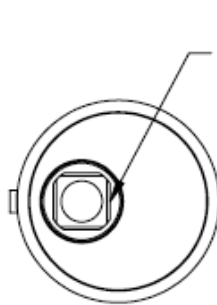
Drawing Number: FI1151

INCH [mm] | R.O.= Rated Output

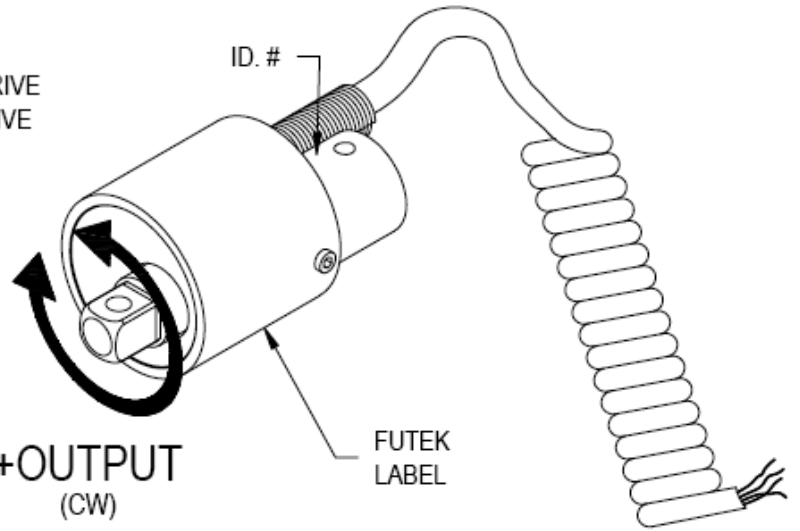
WIRING CODE (WC4)

+Excitation	-Excitation	+Signal	-Signal
RED	BLACK	GREEN	WHITE

+Sense	-Sense	Shield
ORANGE	BLUE	Grounded

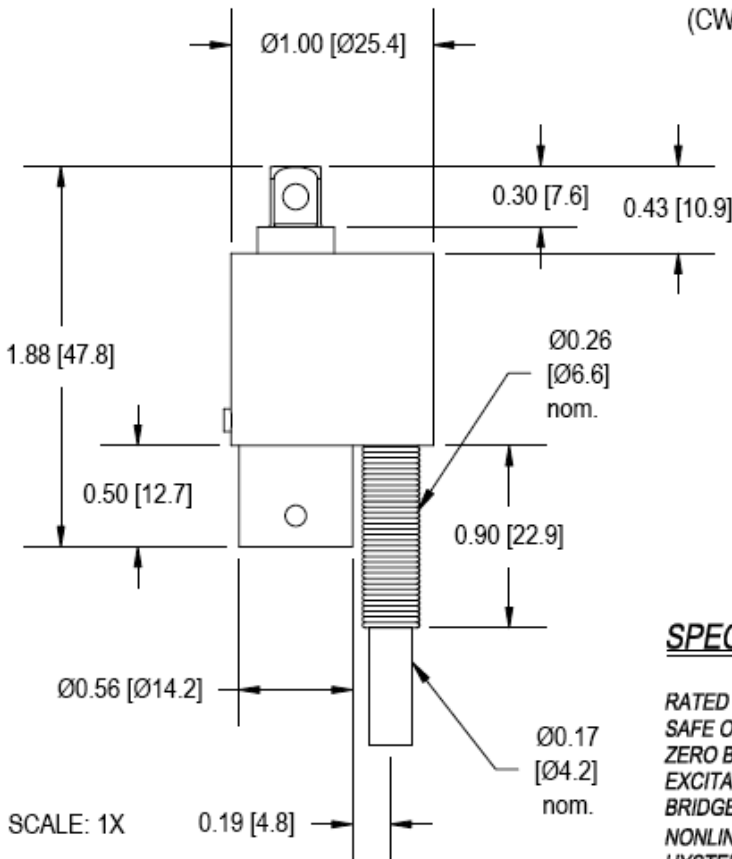


1/4" MALE SQ DRIVE
(FEMALE SQ DRIVE
OPPOSITE END)



+OUTPUT
(CW)

FUTEK
LABEL



STK#	CAPACITY		TORSIONAL STIFFNESS
	in-lb	Nm	in-lb/rad
FSH00713	25	3	2500
FSH00714	50	6	6200
FSH00715	100	11	14000

SPECIFICATIONS:

RATED OUTPUT	2 mV/V nom.
SAFE OVERLOAD	150% of R.O.
ZERO BALANCE	$\pm 2\%$ of R.O.
EXCITATION (VDC OR VAC)	18 MAX
BRIDGE RESISTANCE	1000 Ω nom.
NONLINEARITY	$\pm 0.2\%$ of R.O.
HYSTERESIS	$\pm 0.2\%$ of R.O.
NONREPEATABILITY	$\pm 0.1\%$ of R.O.
TEMP. SHIFT ZERO	$\pm 0.01\%$ of R.O./ $^{\circ}$ F [0.018% of R.O./ $^{\circ}$ C]
TEMP. SHIFT SPAN	$\pm 0.01\%$ of LOAD/ $^{\circ}$ F [0.018% of LOAD/ $^{\circ}$ C]
COMPENSATED TEMP.	60 to 160 $^{\circ}$ F [15 to 72 $^{\circ}$ C]
OPERATING TEMP.	-40 to 180 $^{\circ}$ F [-40 to 82 $^{\circ}$ C]
MATERIAL (FLEXURE)	ALUMINUM (25 to 50 in-lb) 17-4PH S.S. (100 in-lb)
MATERIAL (COVER)	BLACK ANODIZED ALUMINUM
WEIGHT	6.5 oz [184 g]
CABLE: #28 AWG, 6 Conductor, Retractable PVC Cable 10 ft [3 m] Long Extended	
ACCESSORIES AND RELATED INSTRUMENTS AVAILABLE	
CALIBRATION (STD)	5 pt. CW; 150K Ω SHUNT CAL. VALUE
CALIBRATION TEST EXCITATION	10 VDC

系泰機電有限公司

Tel : (04)2706-9659
Fax: (04)2452-0110

www.accusystech.com

E-mail: sales@accusystech.com