

FUTEK MODEL TAT410

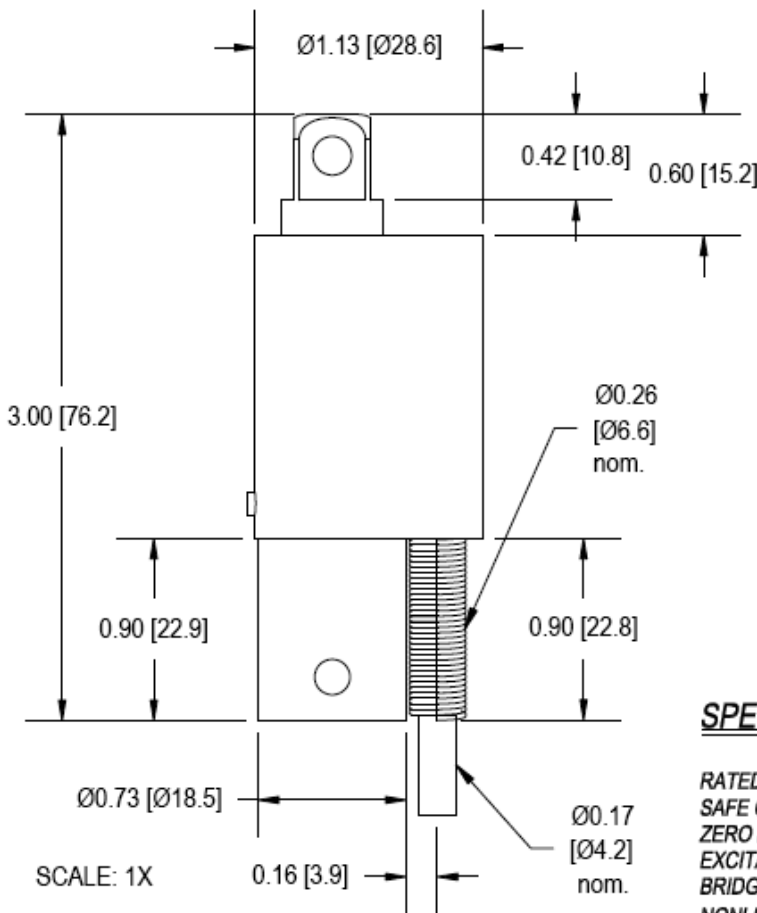
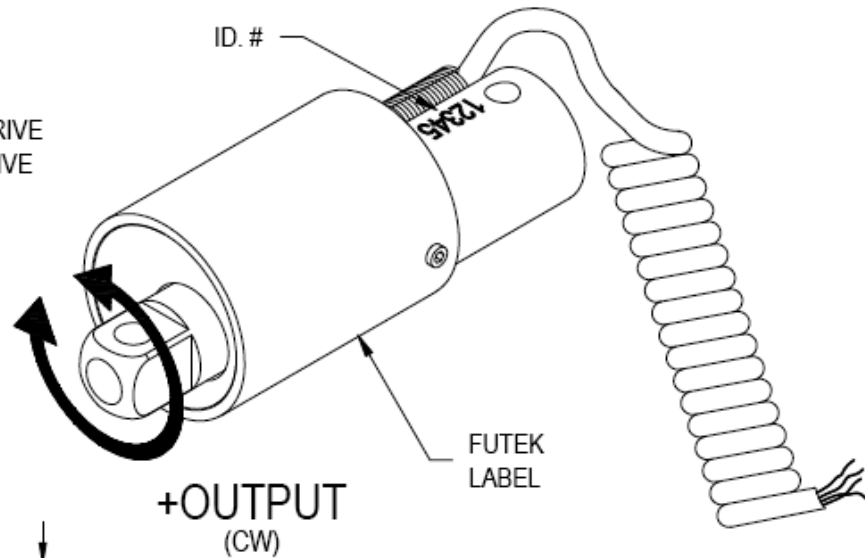
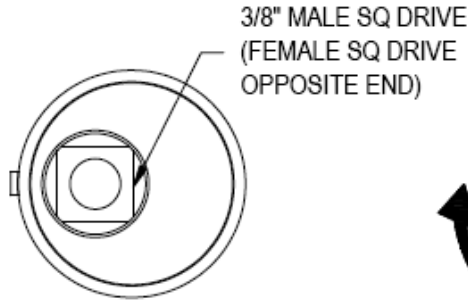
SOCKET EXTENSION REACTION TORQUE SENSOR (Previously T6010)

Drawing Number: FI1152

INCH [mm] | R.O.= Rated Output

WIRING CODE (WC4)

+Excitation	-Excitation	+Signal	-Signal
RED	BLACK	GREEN	WHITE
+Sense	-Sense	Shield	
ORANGE	BLUE	Grounded	



STK#	CAPACITY in-lb	Nm	TORSIONAL STIFFNESS in-lb/rad
FSH00716	200	23	19500
FSH00717	600	68	52500

SPECIFICATIONS:

RATED OUTPUT	2 mV/V nom.
SAFE OVERLOAD	150% of R.O.
ZERO BALANCE	±2% of R.O.
EXCITATION (VDC OR VAC)	18 MAX
BRIDGE RESISTANCE	1000 Ω nom.
NONLINEARITY	±0.2% of R.O.
HYSTERESIS	±0.2% of R.O.
NONREPEATABILITY	±0.1% of R.O.
TEMP. SHIFT ZERO	±0.01% of R.O./°F [0.018% of R.O./°C]
TEMP. SHIFT SPAN	±0.01% of LOAD/°F [0.018% of LOAD/°C]
COMPENSATED TEMP.	60 to 160°F [15 to 72°C]
OPERATING TEMP.	-40 to 180°F [-40 to 82°C]
MATERIAL (FLEXURE)	17-4PH S.S.
MATERIAL (COVER)	BLACK ANODIZED ALUMINUM
WEIGHT	9 oz [255 g]
CABLE: #28 AWG, 6 Conductor, Retractable PVC Cable 10 ft [3 m] Long Extended	
ACCESSORIES AND RELATED INSTRUMENTS AVAILABLE	
CALIBRATION (STD)	5 pt. CW; 150KΩ SHUNT CAL. VALUE
CALIBRATION TEST EXCITATION	10 VDC

系泰機電有限公司

Tel : (04)2706-9659
Fax: (04)2452-0110

www.accusystech.com

E-mail: sales@accusystech.com