

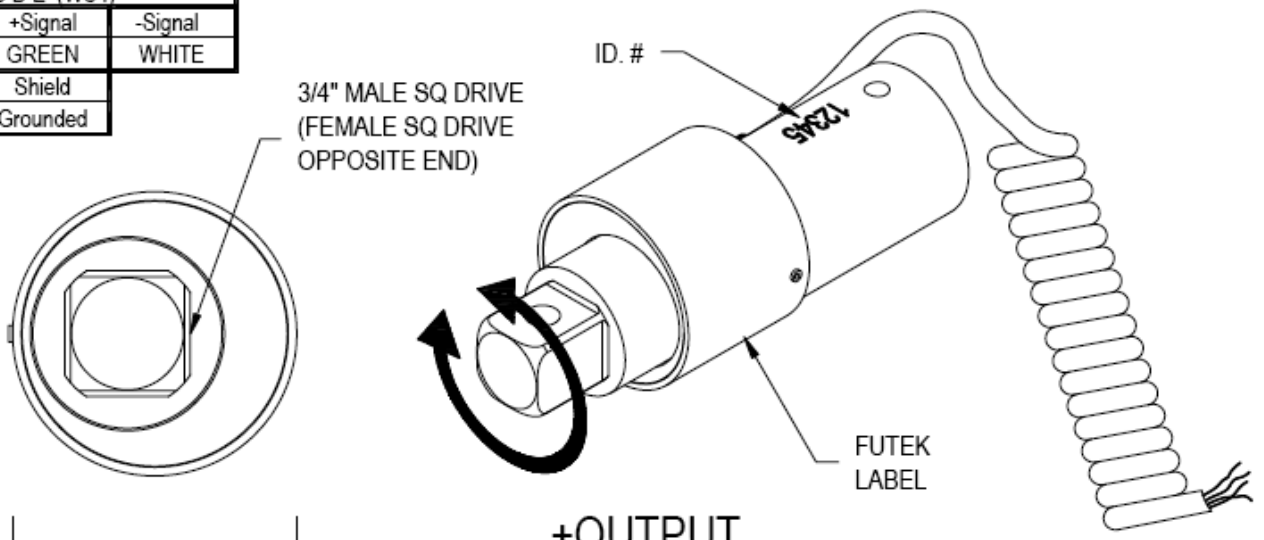
FUTEK MODEL TAT430
 STK# FSH00720

SOCKET EXTENSION REACTION TORQUE SENSOR (Previously T6010)

Drawing Number: FI1154

INCH [mm] | R.O.= Rated Output

| WIRING CODE (WC4) | | | |
|-------------------|-------------|----------|---------|
| +Excitation | -Excitation | +Signal | -Signal |
| RED | BLACK | GREEN | WHITE |
| +Sense | -Sense | Shield | |
| ORANGE | BLUE | Grounded | |

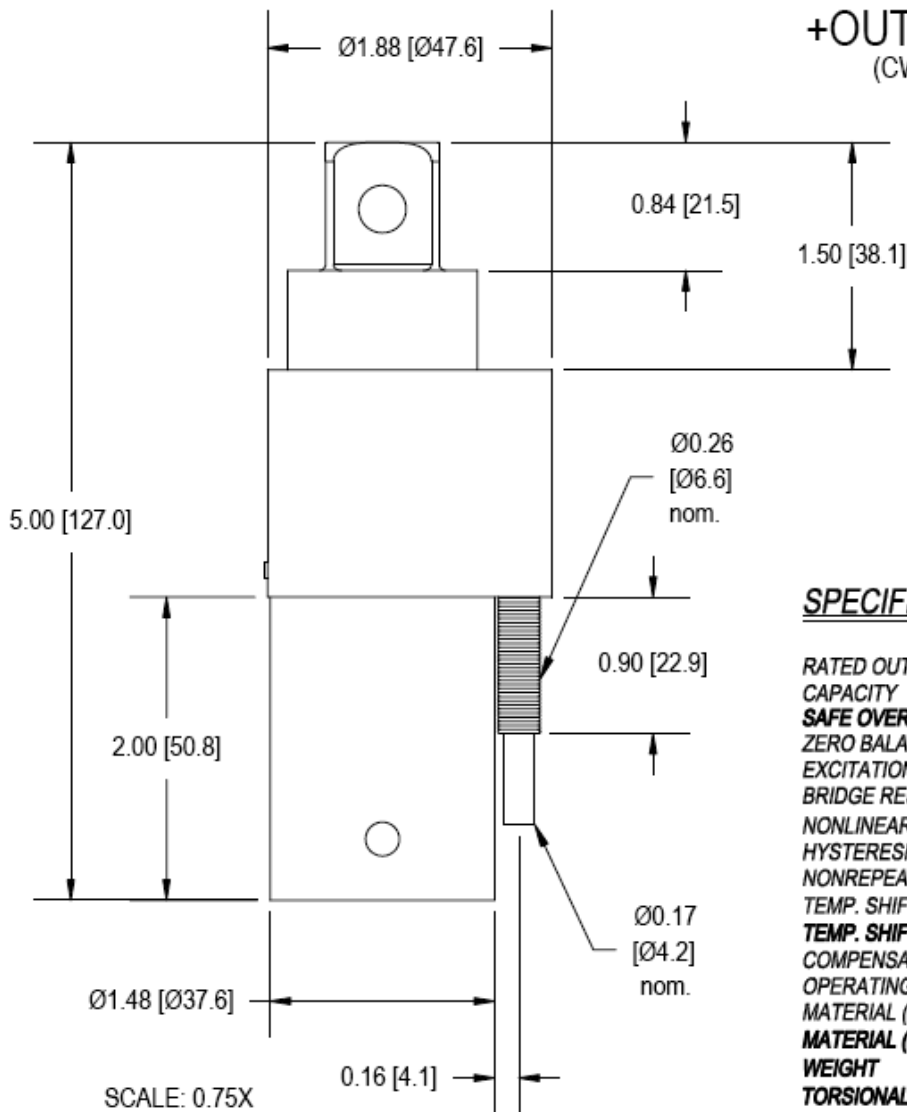


3/4" MALE SQ DRIVE
 (FEMALE SQ DRIVE
 OPPOSITE END)

ID. #

FUTEK
 LABEL

+OUTPUT
 (CW)



SCALE: 0.75X

SPECIFICATIONS:

| | |
|--|---------------------------------------|
| RATED OUTPUT | 2 mV/V nom. |
| CAPACITY | 6000 in-lb [680 Nm] |
| SAFE OVERLOAD | 150% of R.O. |
| ZERO BALANCE | ±2% of R.O. |
| EXCITATION (VDC OR VAC) | 18 MAX |
| BRIDGE RESISTANCE | 1000 Ω nom. |
| NONLINEARITY | ±0.2% of R.O. |
| HYSTERESIS | ±0.2% of R.O. |
| NONREPEATABILITY | ±0.1% of R.O. |
| TEMP. SHIFT ZERO | ±0.01% of R.O./°F [0.018% of R.O./°C] |
| TEMP. SHIFT SPAN | ±0.01% of LOAD/°F [0.018% of LOAD/°C] |
| COMPENSATED TEMP. | 60 to 180°F [15 to 72°C] |
| OPERATING TEMP. | -40 to 180°F [-40 to 82°C] |
| MATERIAL (FLEXURE) | 17-4PH S.S. |
| MATERIAL (COVER) | BLACK ANODIZED ALUMINUM |
| WEIGHT | 32 oz [907 g] |
| TORSIONAL STIFFNESS | 1.72 X 10 ⁶ |
| CABLE: #28 AWG, 6 Conductor, Retractable PVC Cable 10 ft [3 m] Long Extended | |
| ACCESSORIES AND RELATED INSTRUMENTS AVAILABLE | |
| CALIBRATION (STD) | 5 pt. CW; 150KΩ SHUNT CAL. VALUE |
| CALIBRATION TEST EXCITATION | 10 VDC |

系泰機電有限公司

Tel : (04)2706-9659
 Fax: (04)2452-0110

www.accusystech.com
 E-mail: sales@accusystech.com