

FUTEK MODEL TAT440
STK# FSH00726

SOCKET EXTENSION REACTION TORQUE SENSOR (Previously T6010)

Drawing Number: FI1155

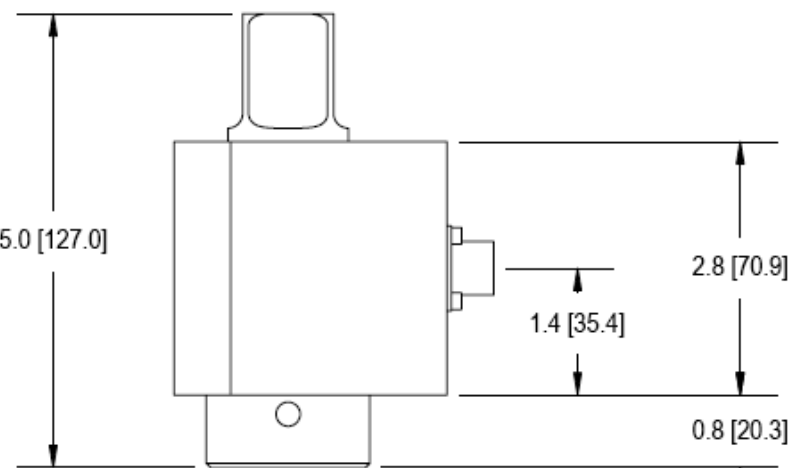
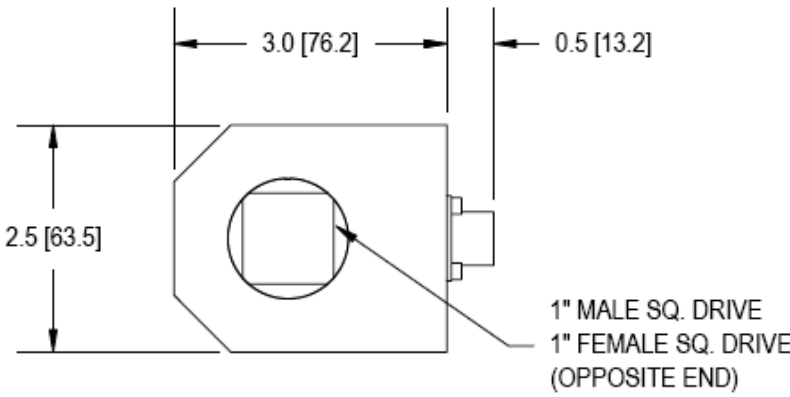
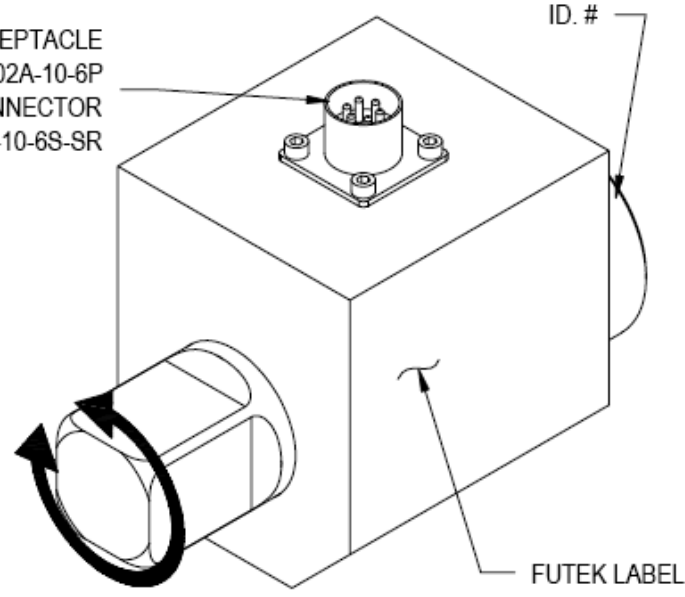
INCH [mm] | R.O.= Rated Output

WIRING CODE (CC1)

+Excitation RED PIN 'A'	-Excitation BLACK PIN 'B'	+Signal GREEN PIN 'C'	-Signal WHITE PIN 'D'
-------------------------------	---------------------------------	-----------------------------	-----------------------------

+Sense ORANGE PIN 'E'	-Sense BLUE PIN 'F'
-----------------------------	---------------------------

BENDIX RECEPTACLE
PT02A-10-6P
MATING CONNECTOR
PT06A-10-6S-SR



+OUTPUT
(CW)

SPECIFICATIONS:

RATED OUTPUT	2 mV/V nom.
CAPACITY $\frac{\text{in-lb}}{\text{Nm}}$	12000 1356
SAFE OVERLOAD	150% of R.O.
ZERO BALANCE	±2% of R.O.
EXCITATION (VDC OR VAC)	18 MAX
BRIDGE RESISTANCE	1000 Ω nom.
NONLINEARITY	±0.2% of R.O.
HYSTERESIS	±0.2% of R.O.
NONREPEATABILITY	±0.1% of R.O.
TEMP. SHIFT ZERO	±0.01% of R.O./°F [0.018% of R.O./°C]
TEMP. SHIFT SPAN	±0.01% of LOAD/°F [0.018% of LOAD/°C]
COMPENSATED TEMP.	60 to 160°F [15 to 72°C]
OPERATING TEMP.	-40 to 180°F [-40 to 82°C]
MATERIAL (FLEXURE)	17-4PH S.S.
MATERIAL (COVER)	ANODIZED ALUMINUM
TORSIONAL STIFFNESS	284000 ft-lb/rad
CONNECTOR: 6 Pin BENDIX Receptacle (PT02A-10-6P)	
ACCESSORIES AND RELATED INSTRUMENTS AVAILABLE	
CALIBRATION (STD)	5 pt. CW; 150K Ω . SHUNT CAL. VALUE
CALIBRATION TEST EXCITATION	10 VDC

系泰機電有限公司

Tel : (04)2706-9659
Fax: (04)2452-0110

www.accusystech.com
E-mail: sales@accusystech.com