

FUTEK MODEL TAT500

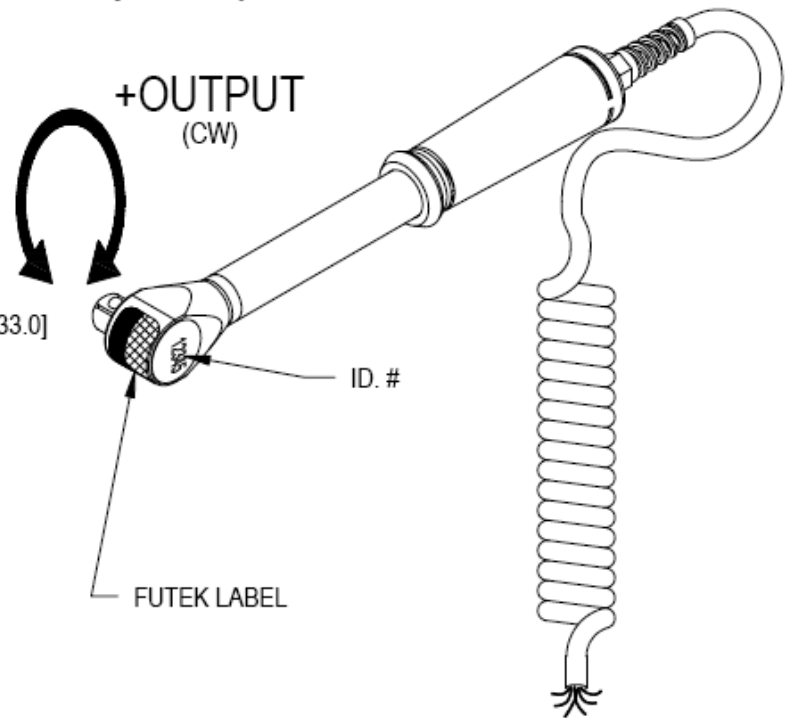
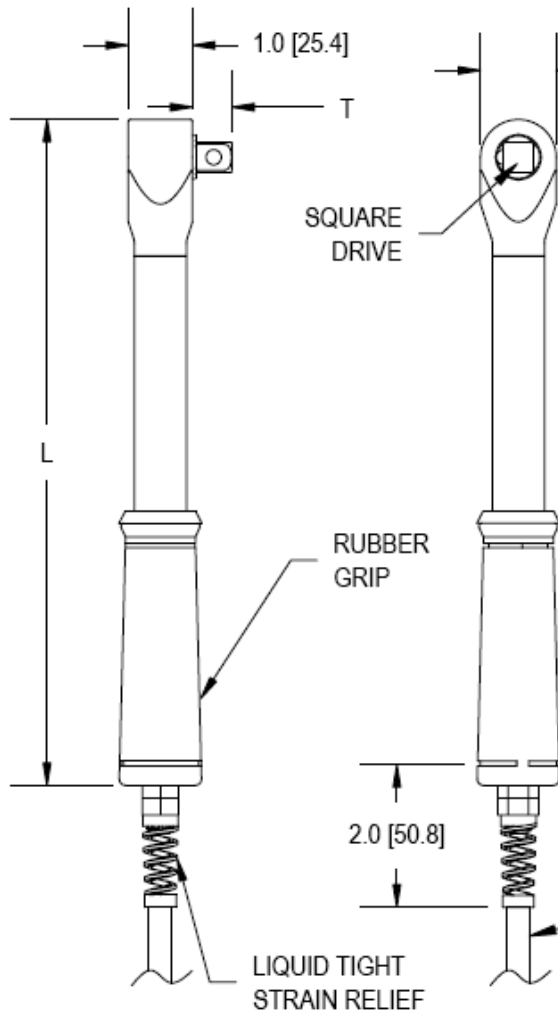
TORQUE WRENCH (Previously T6000)

Drawing Number: FI1149

INCH [mm] R.O.= Rated Output

WIRING CODE (WC4)

+Excitation	-Excitation	+Signal	-Signal
RED	BLACK	GREEN	WHITE
+Sense	-Sense	Shield	
ORANGE	BLUE	Grounded	

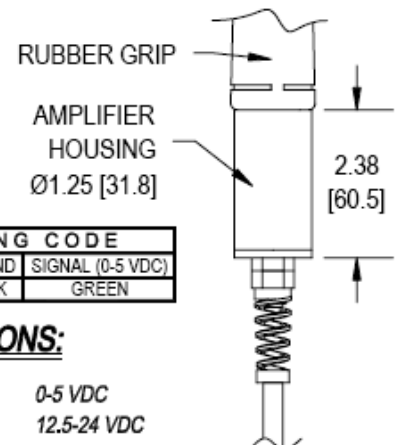


STK#	CAPACITY in-lb Nm	L	T	SQUARE DRIVE	TORSIONAL STIFFNESS in-lb/rad	WEIGHT
FSH00695	120 15	11 [280]	0.5 [12.7]	3/8"	22000	30 oz [0.9 Kg]
FSH00696	600 60	14 [355]			1.92 X 10 ⁵	35 oz [1.0 Kg]
FSH00697	1200 150	20 [508]	0.7 [17.8]	1/2"	4.88 X 10 ⁵	45 oz [1.3 Kg]

SPECIFICATIONS:

RATED OUTPUT	2 mV/V nom.
SAFE OVERLOAD	150% of R.O.
ZERO BALANCE	±2% of R.O.
EXCITATION (VDC OR VAC)	18 MAX
BRIDGE RESISTANCE	350 Ω nom.
NONLINEARITY	±0.25% of R.O.
HYSTERESIS	±0.25% of R.O.
NONREPEATABILITY	±0.1% of R.O.
TEMP. SHIFT ZERO	±0.01% of R.O./°F [0.018% of R.O./°C]
TEMP. SHIFT SPAN	±0.02% of LOAD/°F [0.036% of LOAD/°C]
COMPENSATED TEMP.	60 to 160°F [15 to 72°C]
OPERATING TEMP.	-40 to 180°F [-40 to 82°C]
MATERIAL (FLEXURE)	17-4PH S.S.
MATERIAL (HOUSING)	STAINLESS STEEL
CABLE: #28 AWG, 6 Conductor, Retractable PVC Cable 10 ft [3 m] Long Extended	
ACCESSORIES AND RELATED INSTRUMENTS AVAILABLE	
CALIBRATION (STD)	5 pt. CW; 60.4KΩ SHUNT CAL. VALUE
CALIBRATION TEST EXCITATION	10 VDC

AMPLIFIED VERSION



WIRING CODE		
12.5-24 VDC	GROUND	SIGNAL (0-5 VDC)
RED	BLACK	GREEN

SPECIFICATIONS:

RATED OUTPUT	0-5 VDC
POWER REQUIRED	12.5-24 VDC

系泰機電有限公司

Tel : (04)2706-9659
Fax: (04)2452-0110

www.accusystem.com

E-mail: sales@accusystem.com