

FUTEK MODEL TRS300

SHAFT TO SHAFT ROTARY TORQUE SENSOR

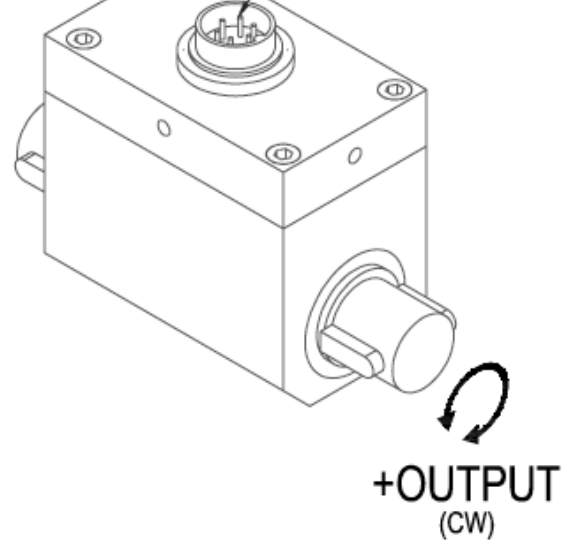
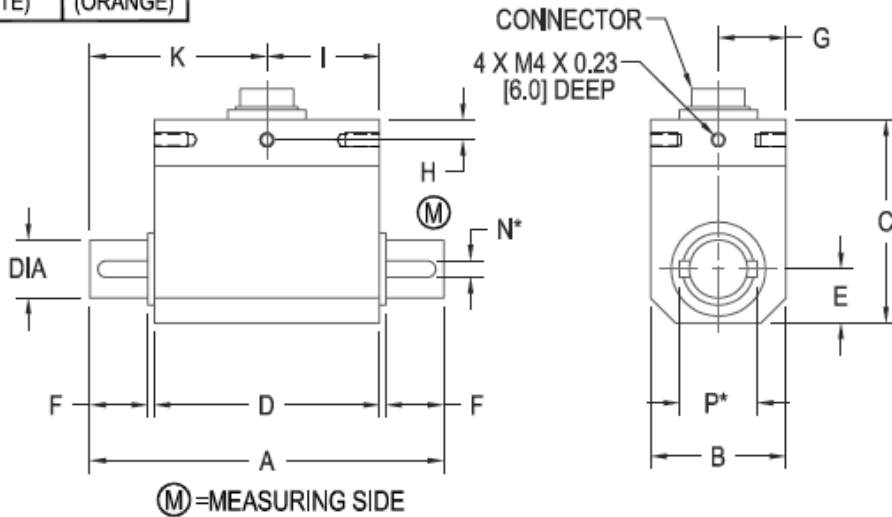
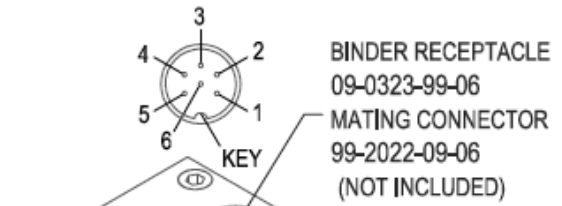
Drawing Number: FI1025-B

CE COMPLIANT

INCH [mm] R.O.= Rated Output

CONNECTOR CODE
(CABLE PACKAGE WIRING CODE)

-Excitation	+Excitation	Shield	+Signal
PIN '1' (BLACK)	PIN '2' (RED)	PIN '3' (FLOATING)	PIN '4' (GREEN)
-Signal	Shunt Cal		
PIN '5' (WHITE)	PIN '6' (ORANGE)		



STOCK #	Capacity		DIA	A	B	C	D	E	F	G	H	I	K	N*	P*	MAX AXIAL LOAD	
	in-lb	N m														lb	(N)
FSH01987	89	10	0.748 [19] g6	4.25 [108]	1.49 [38]	2.28 [58]	1.73 [44]	0.74 [19]	1.18 [30]	0.74 [19]	0.23 [6]	0.86 [22]	2.08 [53]	0.236 [6]	0.945 [24]	34	150
FSH01988	177	20														124	550
FSH01989	443	50														225	1000
FSH01990	885	100														405	1800
FSH01991	1770	200	1.496 [38] g6	7.16 [182]	2.87 [73]	3.54 [90]	2.24 [57]	1.43 [36.5]	2.36 [60]	1.43 [36.5]	0.19 [5]	1.12 [28.5]	3.56 [90.5]	0.394 [10]	1.732 [44]	900	4000
FSH01992	4425	500														1350	6000
FSH01993	8851	1000														1350	6000

SPECIFICATIONS:

RATED OUTPUT	2 mV/V nom
SAFE OVERLOAD	150% of R.O.
ZERO BALANCE	±1% of R.O.
EXCITATION (VDC OR VAC)	5 to 11
BRIDGE RESISTANCE	350 Ω nom.
NONLINEARITY	±0.2% of R.O.
HYSTERESIS	±0.1% of R.O.
NONREPEATABILITY	±0.2% R.O.
TEMP. SHIFT ZERO	±0.01% of R.O. / °F [±0.02% of R.O. / °C]
TEMP. SHIFT SPAN	±0.01% of R.O. / °F [±0.02% of Load / °C]
OPERATING TEMP.	41 to 122°F [+5 to +50°C]
ROTATIONAL SPEED	3000 RPM MAX
CONNECTOR:	6 pin Binder Series #581 (09-0323-99-06)
ACCESSORIES AND RELATED INSTRUMENTS AVAILABLE	
CALIBRATION (STD)	Certificate of Conformance
CALIBRATION (AVAILABLE)	5pt CW and CCW
SHUNT CAL VALUE (INTERNAL)	87K ohm
CALIBRATION TEST EXCITATION	10VDC
SHUNT CALIBRATION	With sensor fully connected jump Pins 1 & 6 to generate 2 mV/V nom output.

* Feather Keyways per DIN 6885
Keyways come pre-installed.

系泰機電有限公司

Tel : (04)2706-9659
Fax: (04)2452-0110

www.accusystech.com

E-mail: sales@accusystech.com