

FUTEK MODEL TSS400

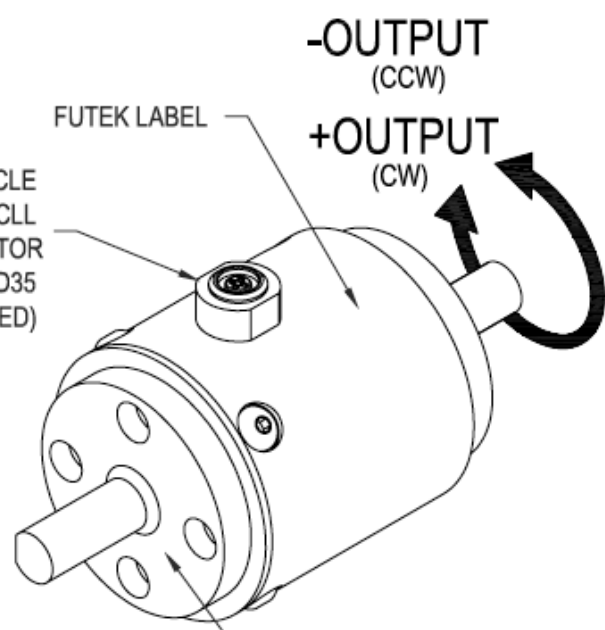
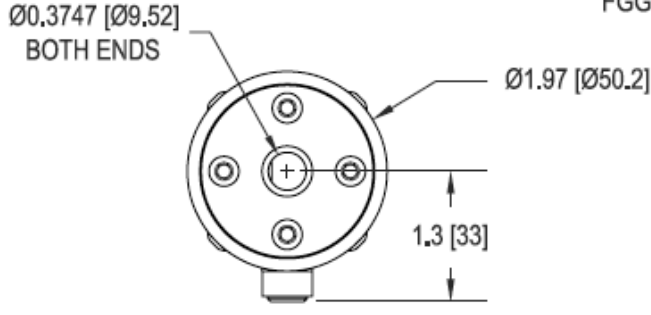
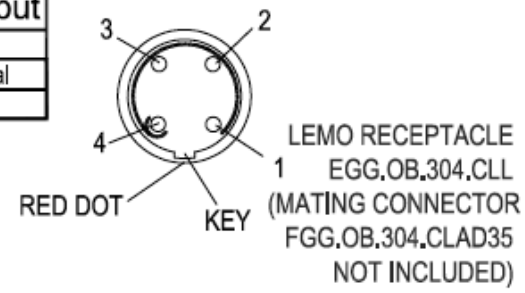
Drawing Number: FI1134-A

INCH [mm] | R.O.= Rated Output

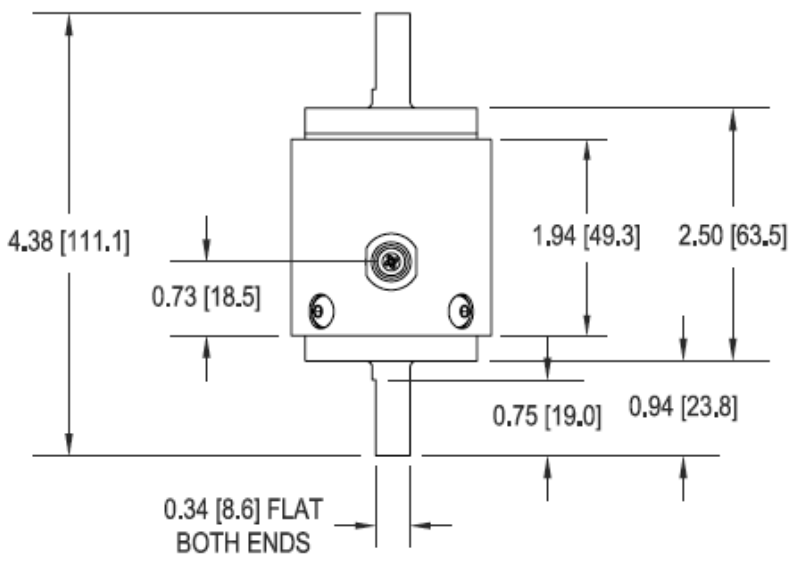
WIRING CODE (CC4)

+Excitation	-Excitation	+Signal	-Signal
1	4	2	3

SHAFT TO SHAFT REACTION TORQUE SENSOR (Previously T5102)



ALUMINUM (5-1000 in-oz)
17-4PH S.S. (100-500 in-lb)



STK#	CAPACITY		TORSIONAL STIFFNESS
	In-oz	Nm	In-oz/rad
FSH02812	5*	0.04	325
FSH02813	10*	0.08	650
FSH02814	20*	0.15	1600
FSH02815	50*	0.37	3500
FSH02816	100*	0.75	7300
FSH02817	160*	1.2	11000
FSH02822	400*	3.0	30000
FSH02818	1000	7.5	71000
FSH02819	100 in-lb	12	77000 in-lb/rad
FSH02820	200 in-lb	24	95000 in-lb/rad
FSH02821	500 in-lb	60	199000 in-lb/rad

* WITH OVERLOAD PROTECTION
FOR HIGHER CAPACITIES REFER TO MODELS TFF600-750
AND TDF600-675

SPECIFICATIONS:

RATED OUTPUT	1 mV/V nom. (5 in-oz) 2 mV/V nom. (10 in-oz to 500 in-lb)
SAFE OVERLOAD	150% of R.O.
ZERO BALANCE	±1% of R.O.
EXCITATION (VDC OR VAC)	18 MAX
BRIDGE RESISTANCE	350 Ω nom. (5 to 1000 in-oz) 700 Ω nom. (100 to 500 in-lb)
NONLINEARITY	±0.2% of R.O.
HYSTERESIS	±0.2% of R.O.
NONREPEATABILITY	±0.05% of R.O.
TEMP. SHIFT ZERO	±0.002% of R.O./°F [0.0036% of R.O./°C]
TEMP. SHIFT SPAN	±0.002% of LOAD/°F [0.0036% of LOAD/°C]
COMPENSATED TEMP.	60 to 160°F [15 to 72°C]
OPERATING TEMP.	-60 to 200°F [-54 to 93°C]
WEIGHT	9 oz [250 g]
MATERIAL	ALUMINUM
CONNECTOR:	4 Pin LEMO Receptacle EGG.OB.304.CLL
ACCESSORIES AND RELATED INSTRUMENTS AVAILABLE	
CALIBRATION (STD)	5 pt. CW; 60.4KΩ (5 to 1000 in-oz) 100KΩ (100 to 500 in-lb) SHUNT CAL. VALUE
CALIBRATION (OPTIONAL)	5 pt. CCW
CALIBRATION TEST EXCITATION	10 VDC

系泰機電有限公司

Tel : (04)2706-9659
Fax: (04)2452-0110

www.accusystech.com
E-mail: sales@accusystech.com